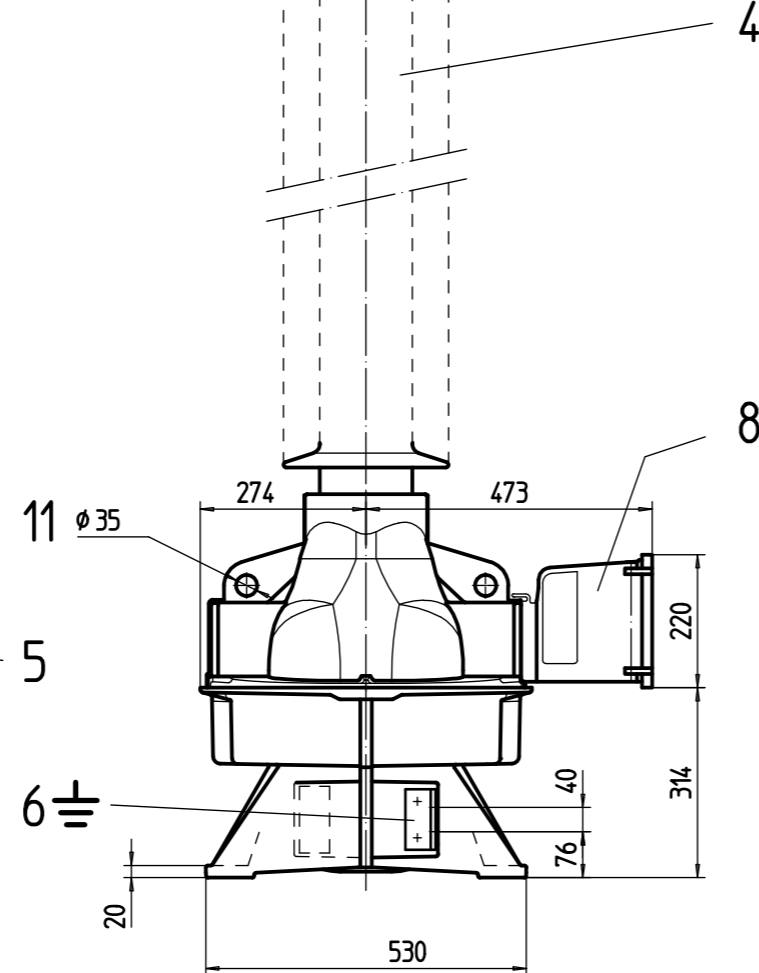
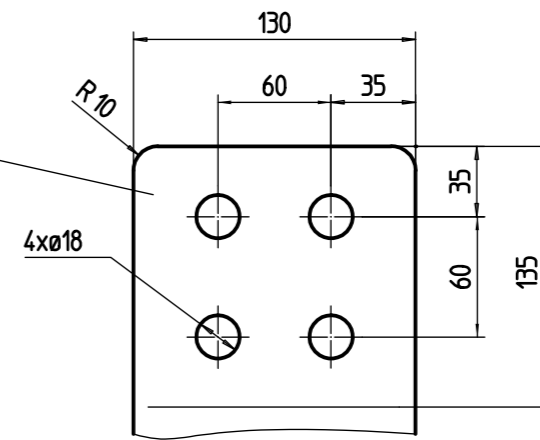
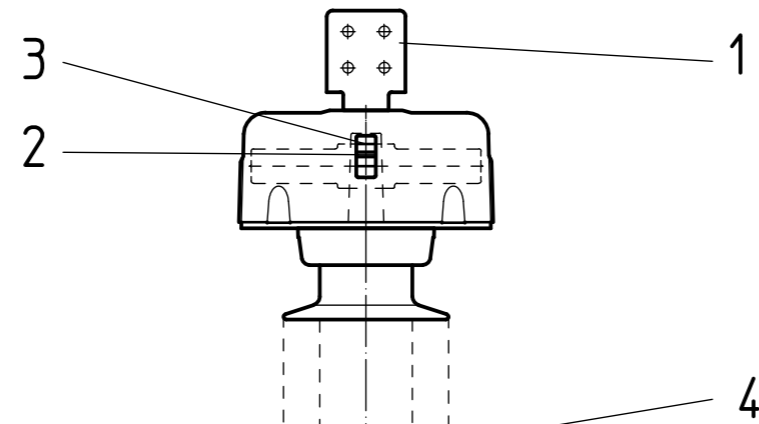
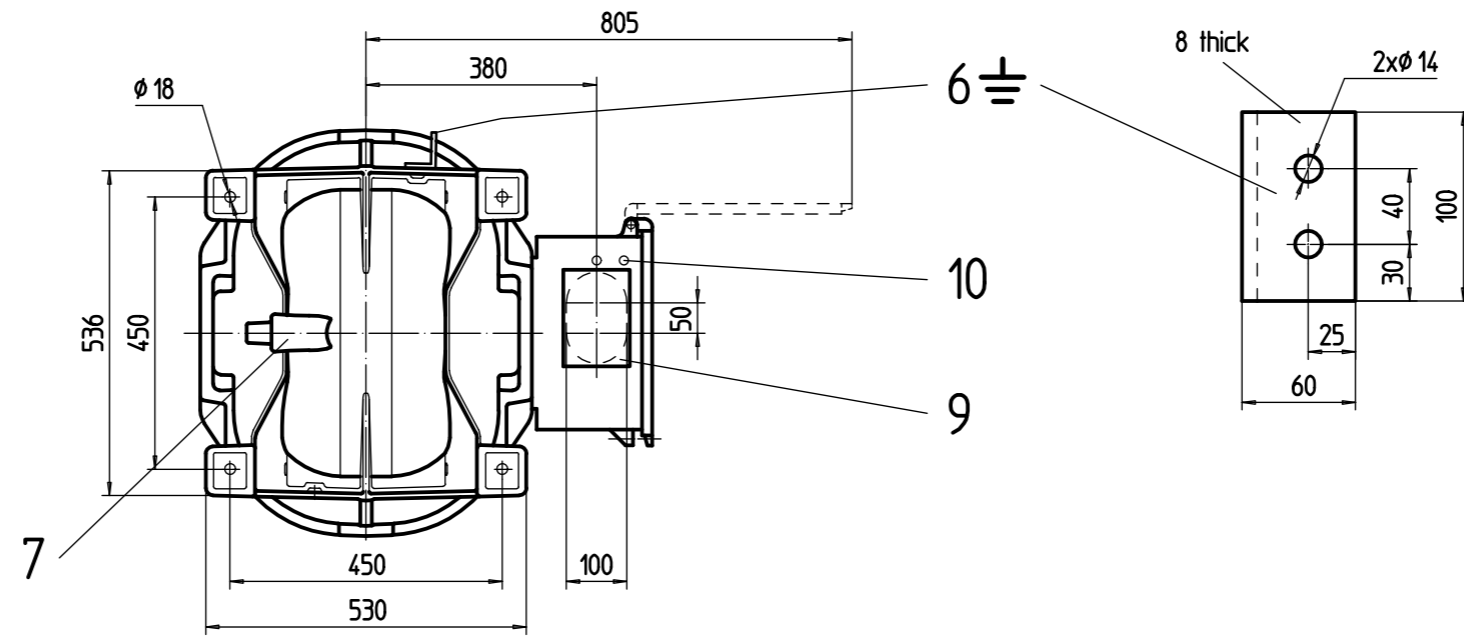
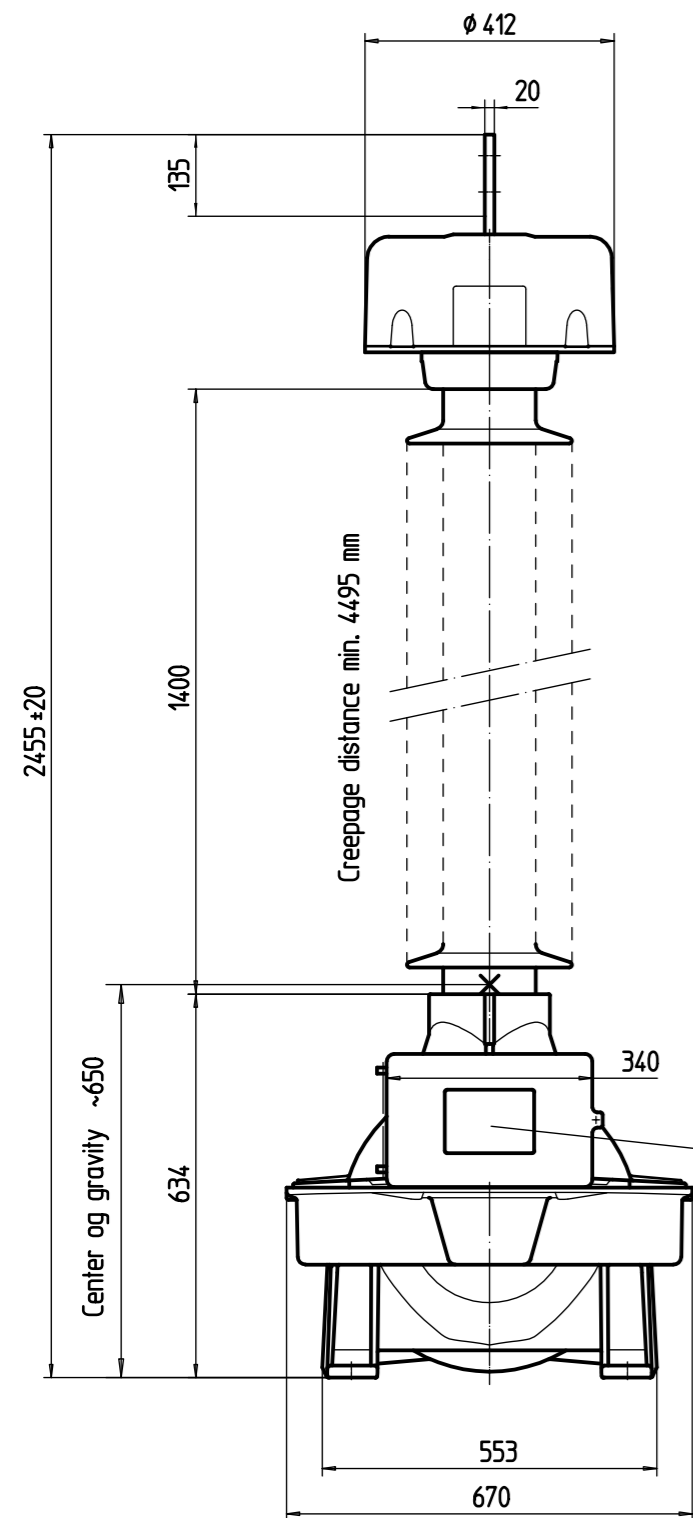


Copyright of this drawing is with the company TRENCH Suisse-France.  
 Without written agreement it's forbidden to make copies of this drawing as well as forwarding it to third persons.



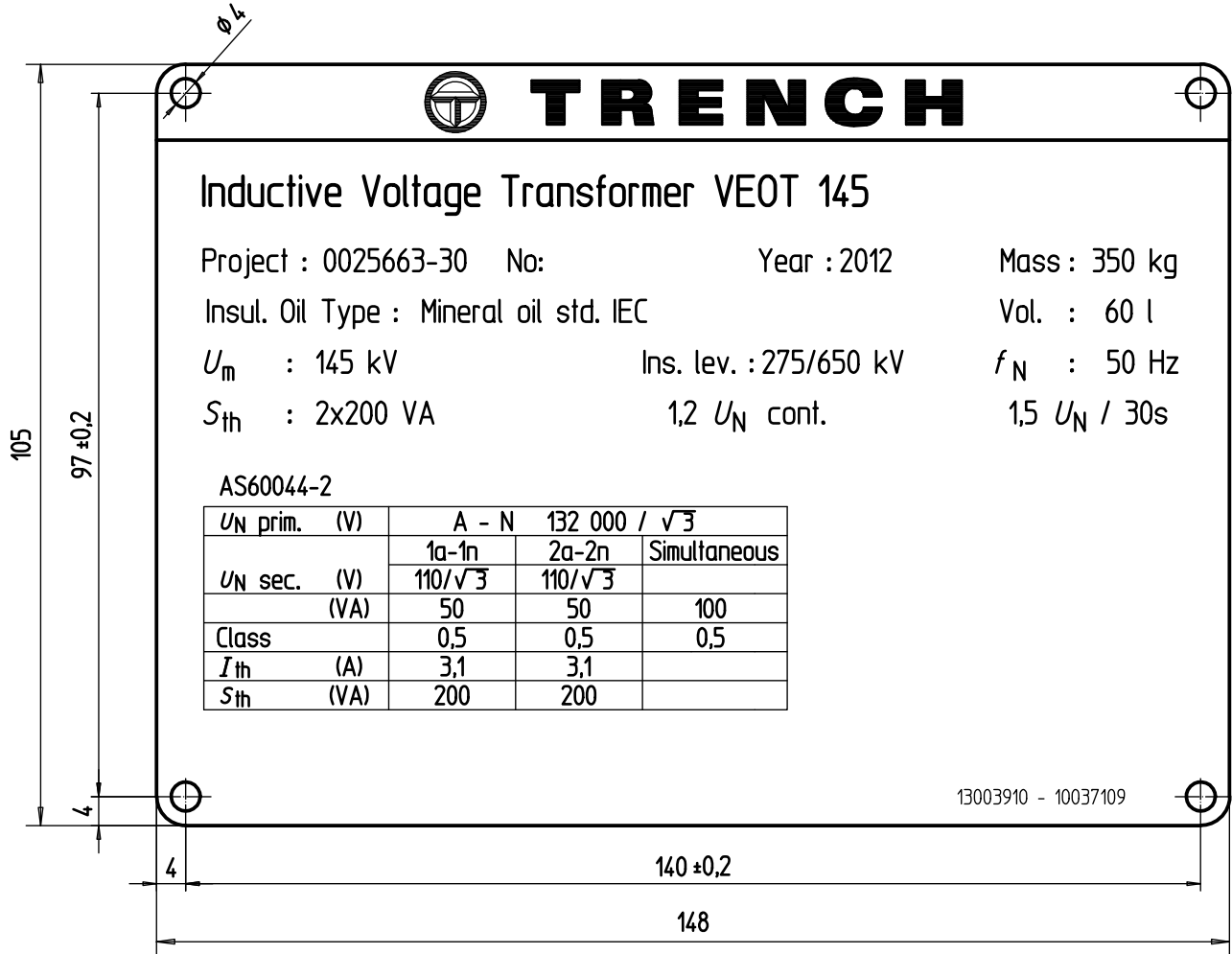
Dimensions in mm

Mass total approx. : 350 kg

Item	Designation	Item	Designation
1	Primary terminal Al	8	Terminal box
2	Metallic bellows with oil level indicator	9	Gland plate
3	Filling plug	10	Gauze
4	Porcelain insulator	11	Lifting lugs
5	Rating plate		
6	Earthing terminal Al		
7	Oil drain plug		

13003910  
 Project: Mumbida Wind Farm D-4058  
 Client: Leighton Contractors

Drawn :	Checked :	Material :	Dimensions :	Mass :	Material No :
06.02.2012	07.02.2012				
D.Grunder	J.L.Dhers	Title :		General tolerance :	
Modifications :		Outline drawing		Scale : 1:13	
Modified :		Inductive voltage transformer			
Checked :		Type VEOT 145			
		Stock/Req. No :		Sheet : 1	
		Substitute for :			
		Substituted by :			
				3-10037108	



## Inductive Voltage Transformer VEOT 145

Project : 0025663-30 No: Year : 2012 Mass : 350 kg  
 Insul. Oil Type : Mineral oil std. IEC Vol. : 60 l  
 $U_m$  : 145 kV Ins. lev. : 275/650 kV  $f_N$  : 50 Hz  
 $S_{th}$  : 2x200 VA 1,2  $U_N$  cont. 1,5  $U_N$  / 30s

AS60044-2


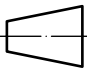
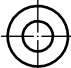
$U_N$ prim. (V)	A - N 132 000 / $\sqrt{3}$		
	1a-1n	2a-2n	Simultaneous
$U_N$ sec. (V)	$110/\sqrt{3}$	$110/\sqrt{3}$	
(VA)	50	50	100
Class	0,5	0,5	0,5
$I_{th}$ (A)	3,1	3,1	
$S_{th}$ (VA)	200	200	

13003910 - 10037109

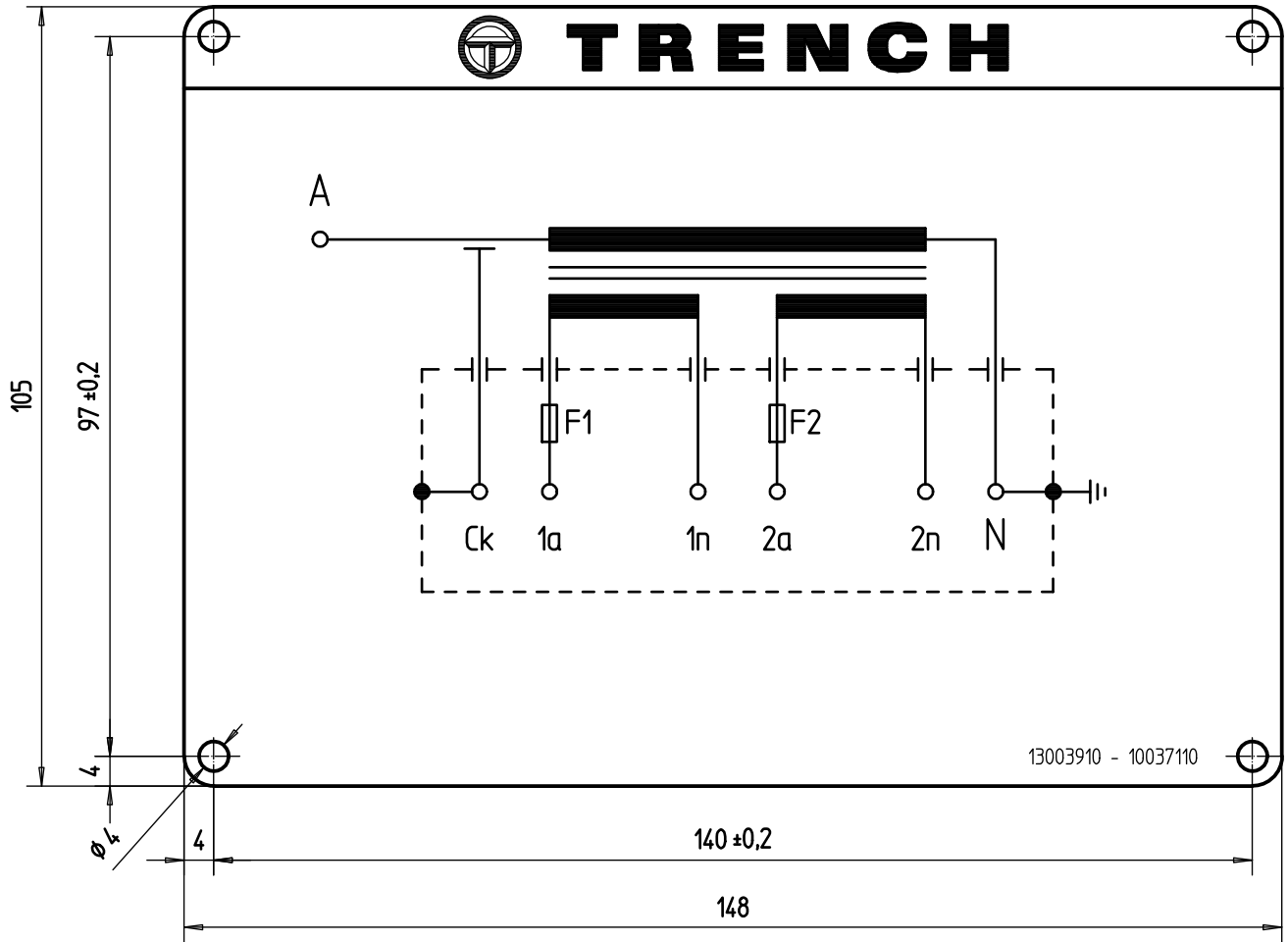
13003910

No. : 2121393 ... 2121395

Project: Mumbida Wind Farm D-4058  
Client: Leighton Contractors




Abmessungen in mm Grund : Stahl 18/8 Schrift und Rand : Laser beschriftet Material: Stahl 18/8		Dimensions en mm Fond : Acier inoxydable 18/8 Ecriture + bord : Gravure laser Matériau : Acier inoxydable 18/8		Dimensions in mm Ground : Stainless Steel 18/8 Writing + border : Laser engraving Material : Stainless Steel 18/8	
Drawn :	Checked :	Material :	Dimensions :	Mass :	Material No :
06.02.2012	06.02.2012	14301	1 x 105 x 148		
D.Grunder	D.Beer	Title :		General tolerance : ISO 2768-c	
Modifications :		Rating plate		Scale : 1:1	
Modified :		Inductive voltage transformer		 <b>TRENCH</b> TRENCH Suisse - France	
		Type VEOT 145			
		Stock/Req. No :		Sheet : 1	
 		Substitute for :		4-10037109	
		Substituted by :			

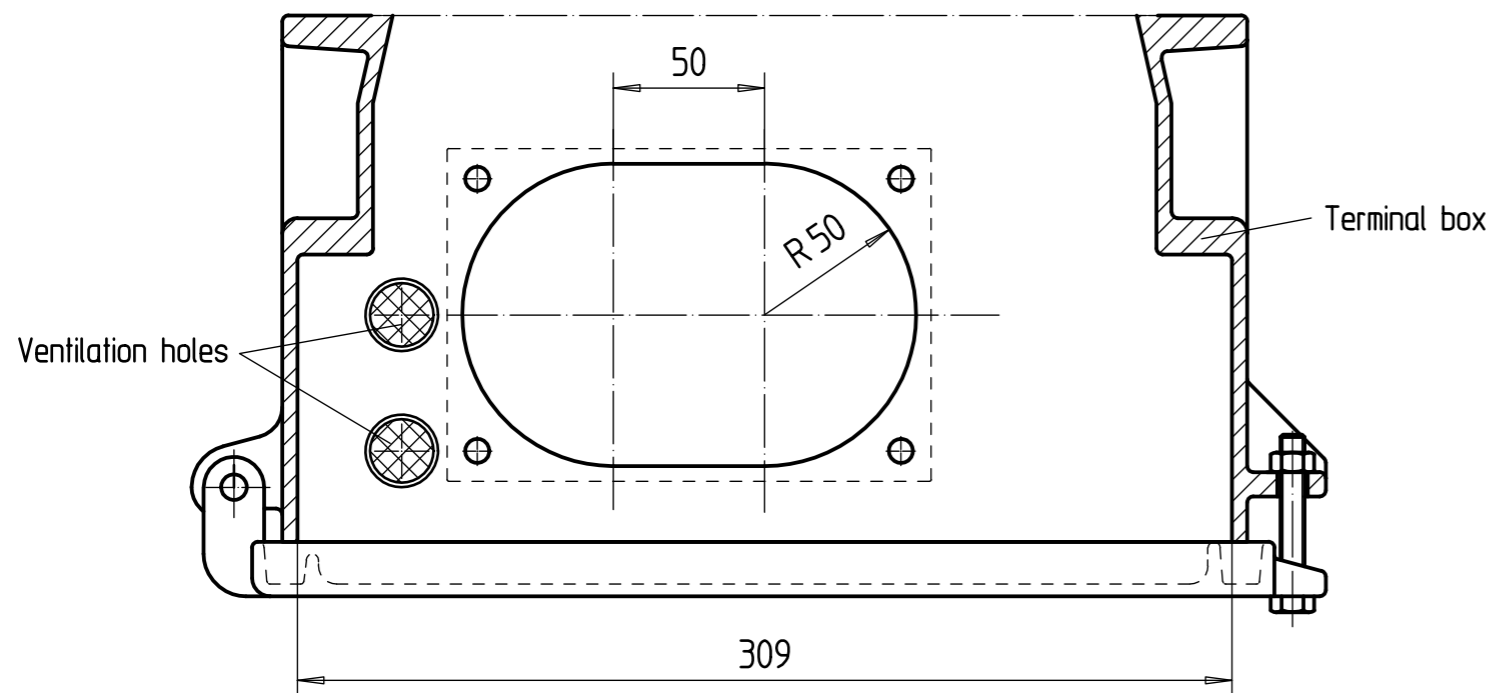
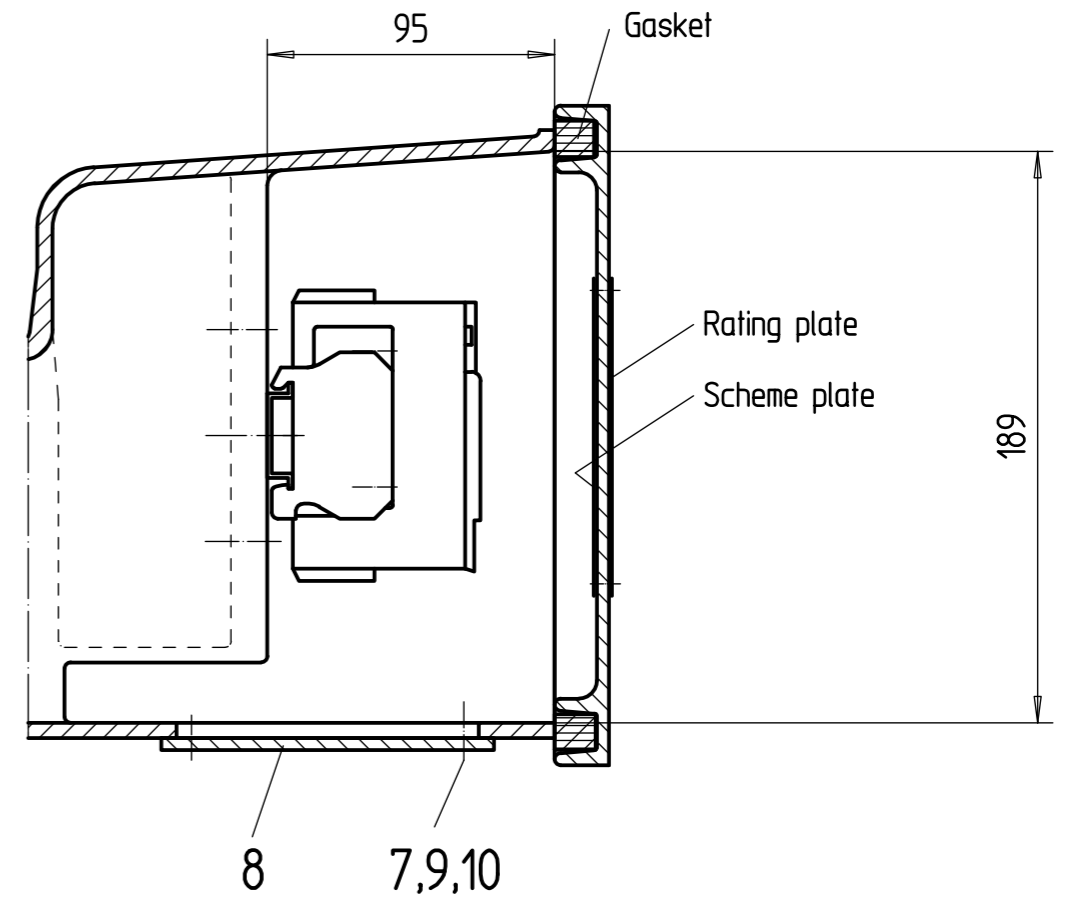
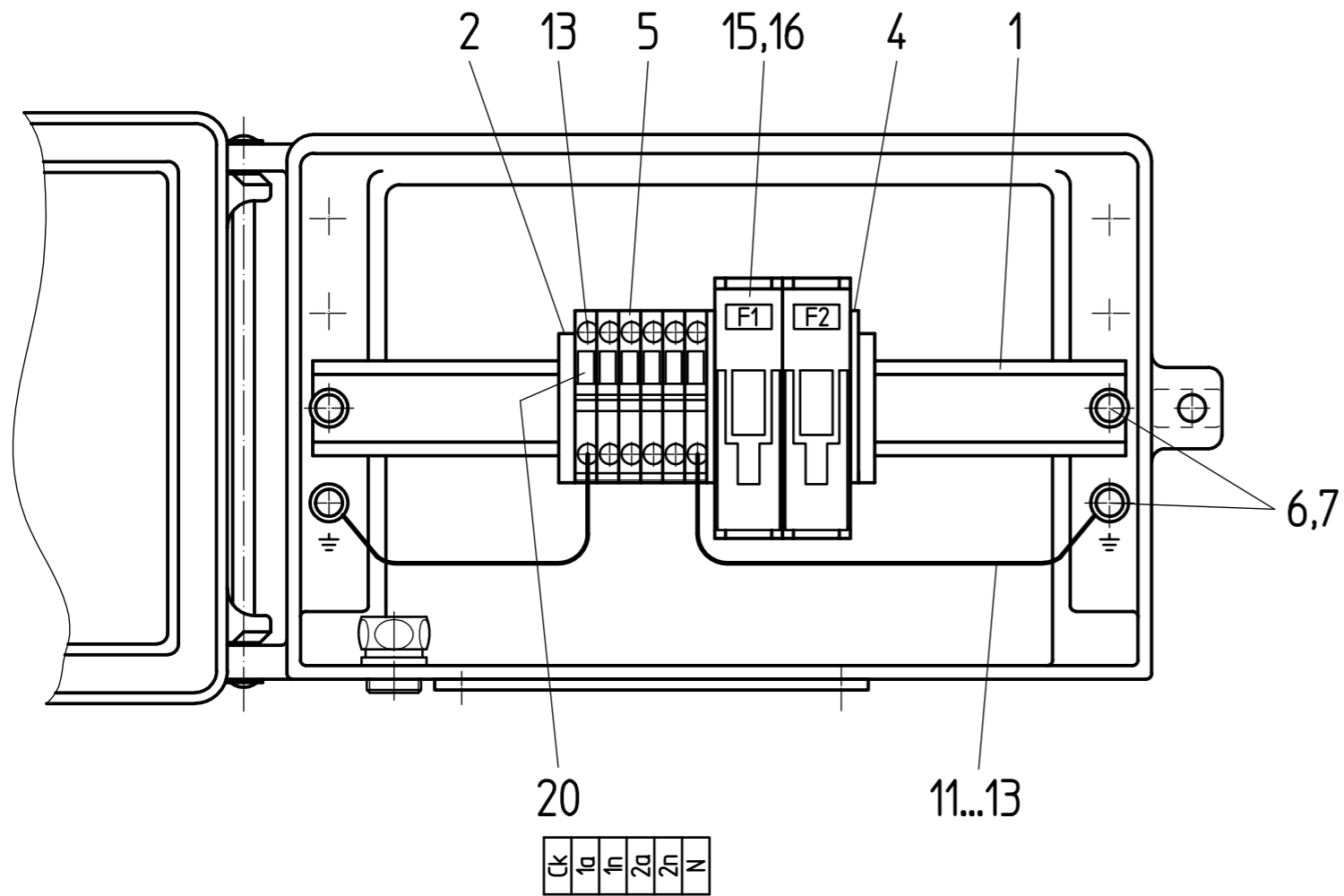
Copyright of this drawing is with the company TRENCH Suisse-France.  
 Without written agreement it's forbidden to make copies of this  
 drawing as well as forwarding it to third persons.



13003910


Project: Mumbida Wind Farm D-4058  
 Client: Leighton Contractors

Abmessungen in mm Grund : Stahl 18/8 Schrift und Rand : Laser beschriftet Material: Stahl 18/8		Dimensions en mm Fond : Acier inoxydable 18/8 Ecriture + bord : Gravure laser Matériau : Acier inoxydable 18/8		Dimensions in mm Ground : Stainless Steel 18/8 Writing + border : Laser engraving Material : Stainless Steel 18/8	
Drawn :	Checked :	Material :	Dimensions :	Mass :	Material No :
06.02.2012	06.02.2012	14301	1 x 105 x 148		
D.Grunder	D.Beer	Title :			General tolerance : ISO 2768-c
Modifications :		Scheme plate			Scale : 1:1
Modified :	Checked :	Inductive voltage transformer			 <b>TRENCH</b> TRENCH Suisse - France
		Type VEOT			
		Stock/Req. No :	Sheet : 1		
 		Substitute for :	4-10037110		
		Substituted by :			



Protection grade : IP55

Item	Designation	Item	Designation
1	Rail	9	Screw
2	Stop piece	10	Nut
3		11...13	Connection
4	Closing wall	14	
5	Terminal block 6-10mm <sup>2</sup> Weidmüller PDU	15,16	Fuse holder Busmann type CM-32FC with link NIT 32 (32A)
6	Screw		
7	Washer		
8	Gland plate	20	Marking
			Project: Mumbida Wind Farm D-4058
13003910			Contractors: Leighton Contractors

Drawn :	Checked :	Material :	Dimensions :	Mass :	Material No :
06.02.2012	07.02.2012				
D.Grunder	J.L.Dhers	Title :			General tolerance :
Modifications :		Terminal box			Scale : 1:3
Modified :	Checked :	Inductive voltage transformer			
		Type VEOT 145			
		Stock/Req. No :			Sheet : 1
		Substitute for :			 <b>TRENCH</b> TRENCH Suisse - France
		Substituted by :			
					<b>3-10037111</b>

Copyright of this drawing belongs to TRENCH Suisse-France. Without written agreement it's forbidden to make copies of this drawing as well as forwarding it to a third party.