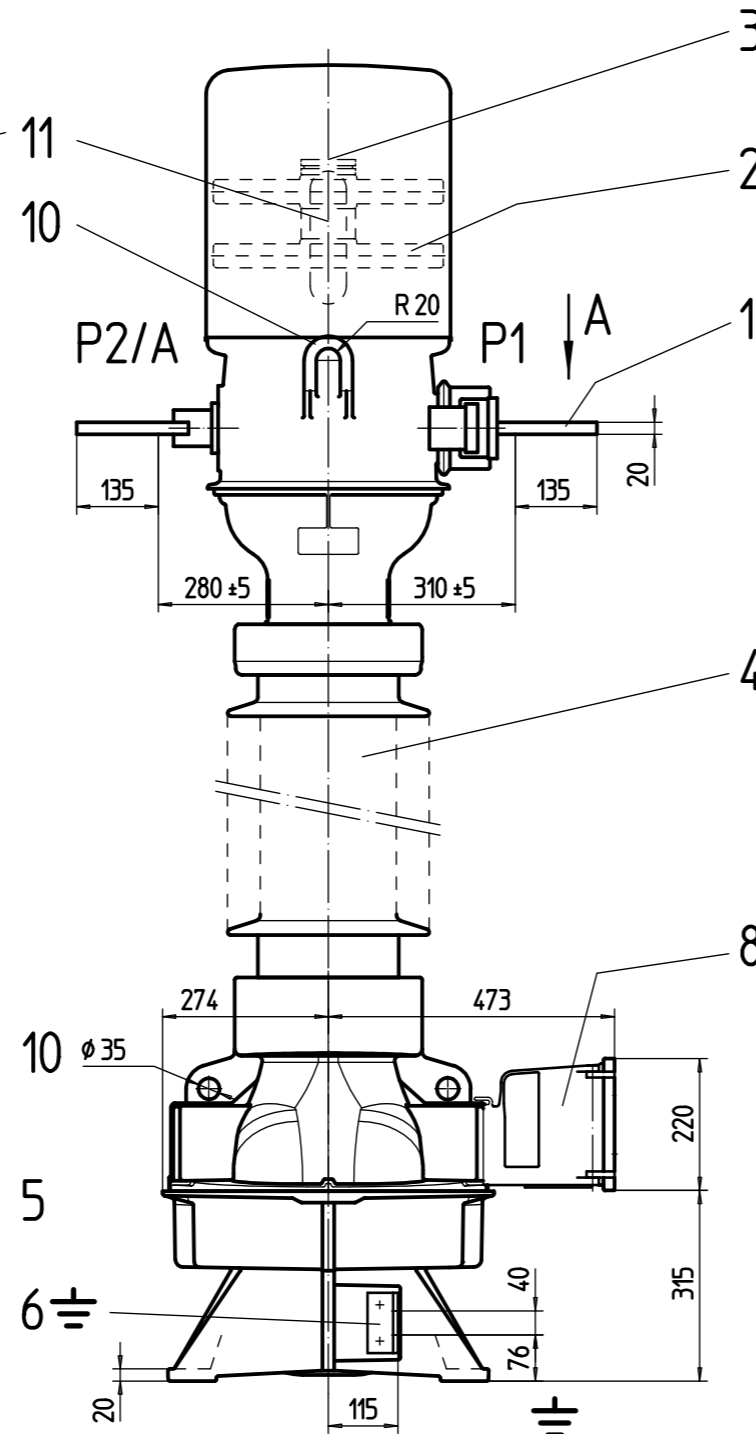
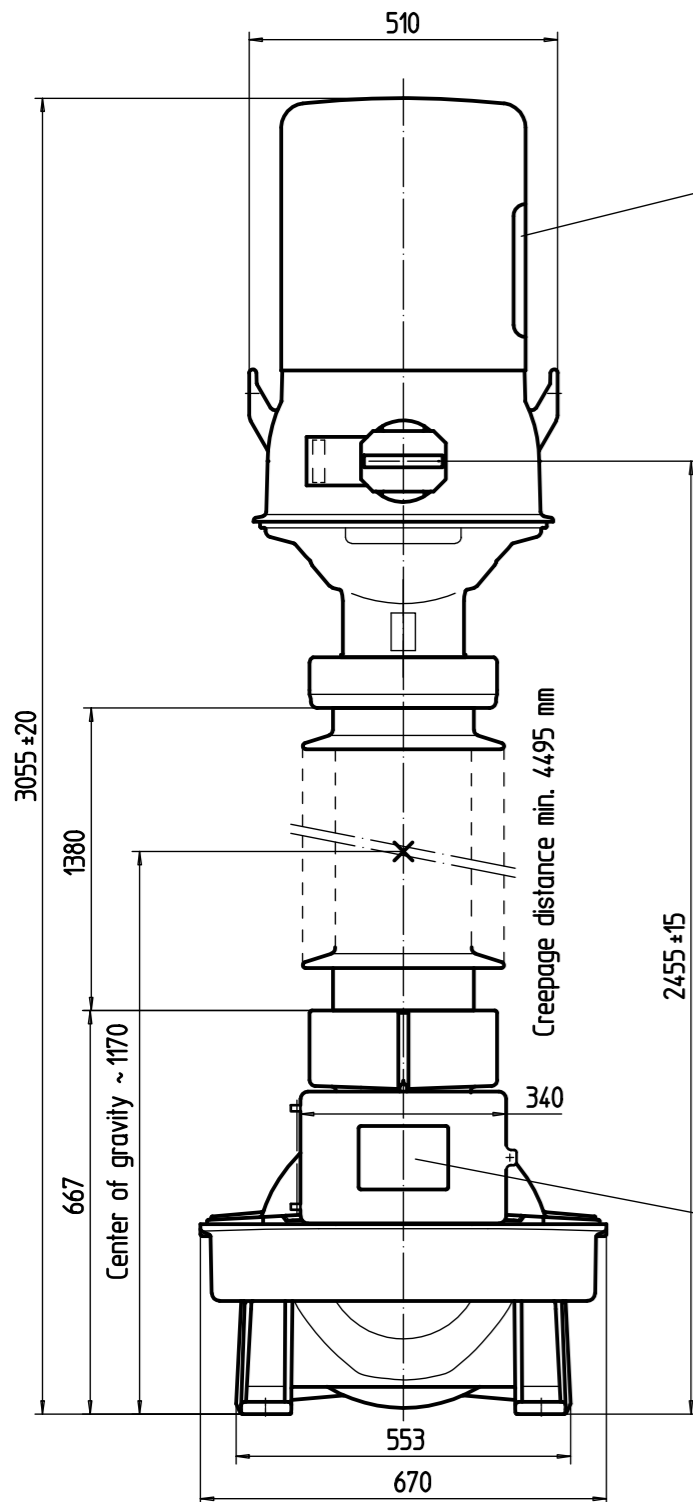
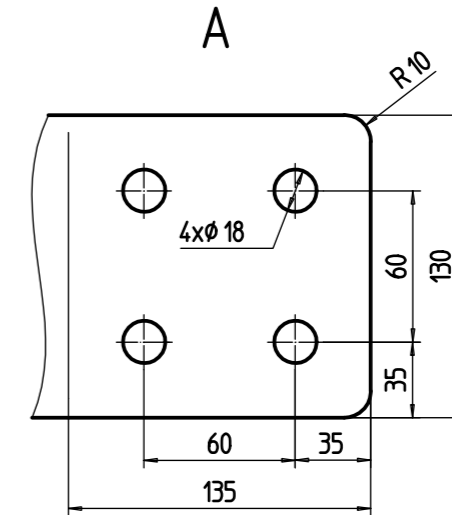
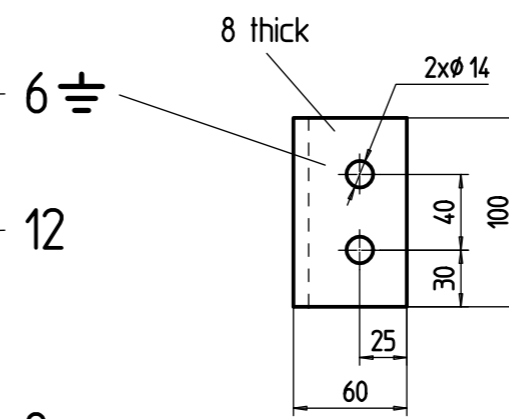
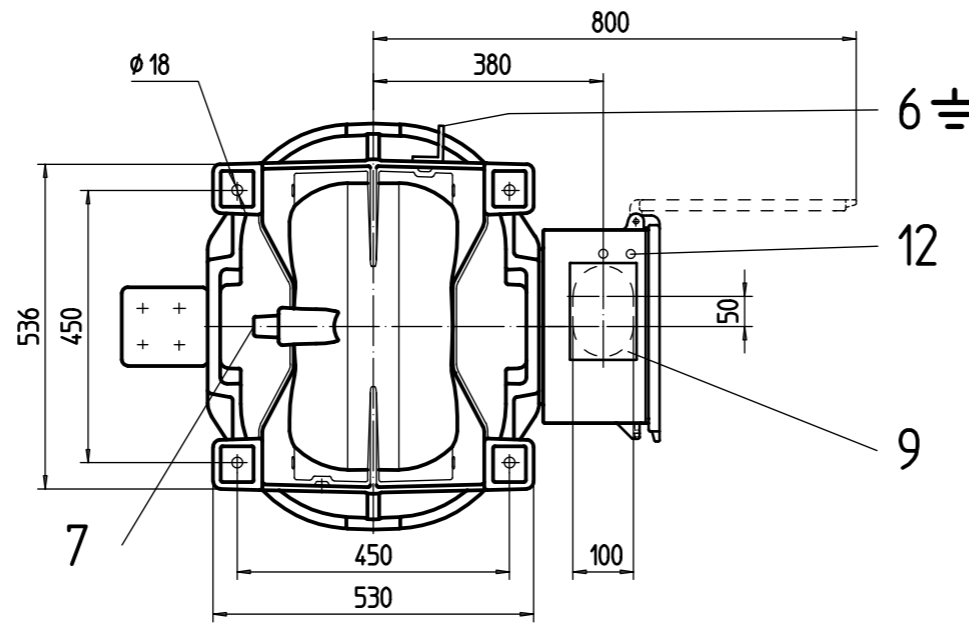


Copyright of this drawing belongs to TRENCH Suisse-France.  
Without written agreement it's forbidden to make copies of this drawing as well as forwarding it to a third party.




Dimensions in mm

Mass total approx. : 485 kg

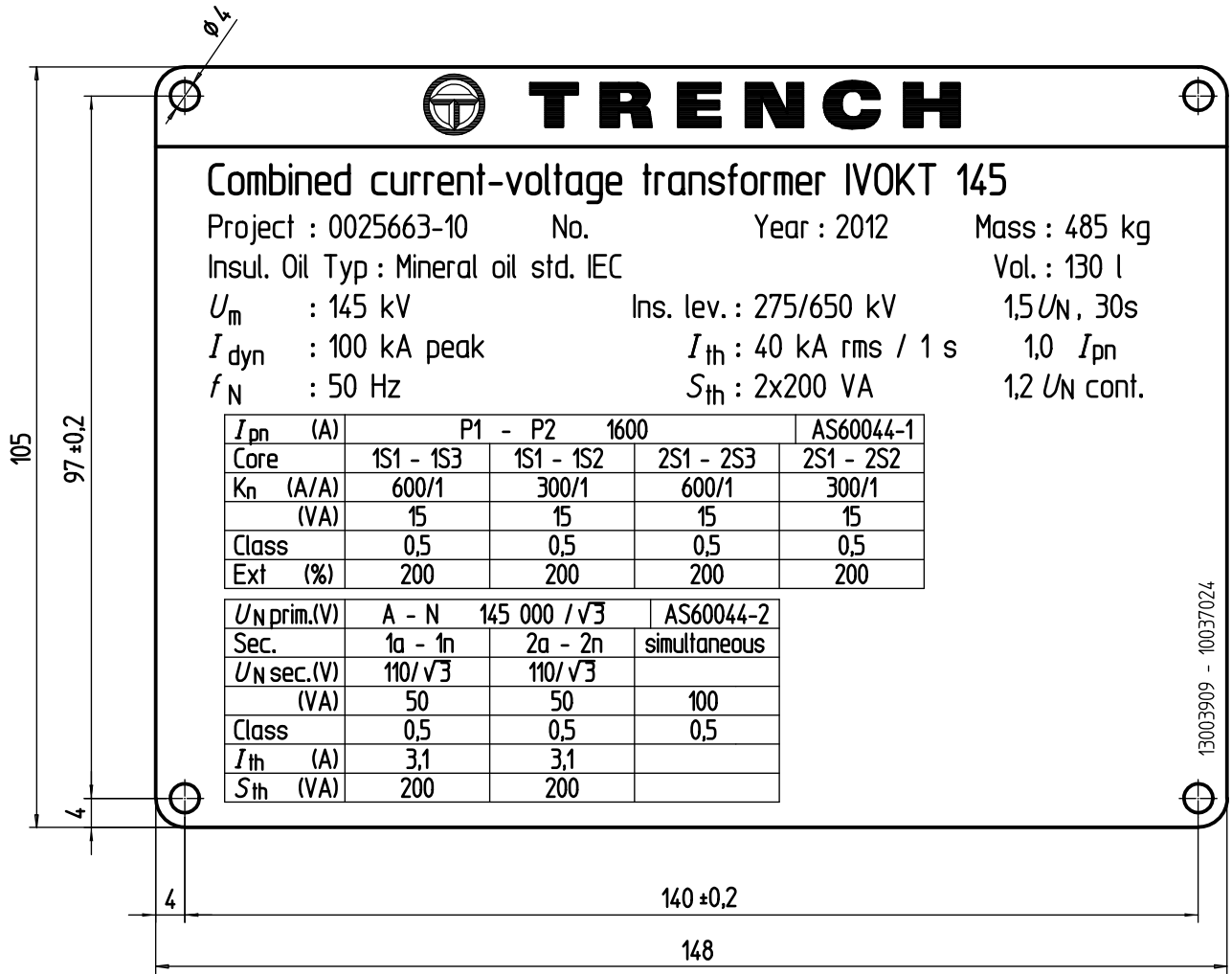
Item	Designation	Item	Designation
1	Primary terminal Al	7	Oil drain plug
2	Metallic bellows	8	Terminal box
3	Filling plug	9	Gland plate
4	Porcelain insulator	10	Lifting lugs
5	Rating plate	11	Bellows-position indicator
6	Earthing terminal Al	12	Gauze

13003909 Project: Mumbida Wind Farm D-4058  
Client: Leighton Contractors

Drawn :	Checked :	Material :	Dimensions :	Mass :	Material No :
03.02.2012	07.02.2012				
D.Grunder	J.L.Dhers	Title :			General tolerance :
Modifications :		Outline drawing			Scale : 1:13
Modified :	Checked :	Combin. current-voltage transf			
		Type IVOKT 145			
		Stock/Req. No :			Sheet : 1
		Substitute for :			
		Substituted by :			

3-10037023


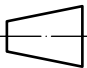
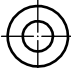
Copyright of this drawing is with the company TRENCH Suisse-France.  
Without written agreement it's forbidden to make copies of this  
drawing as well as forwarding it to third persons.



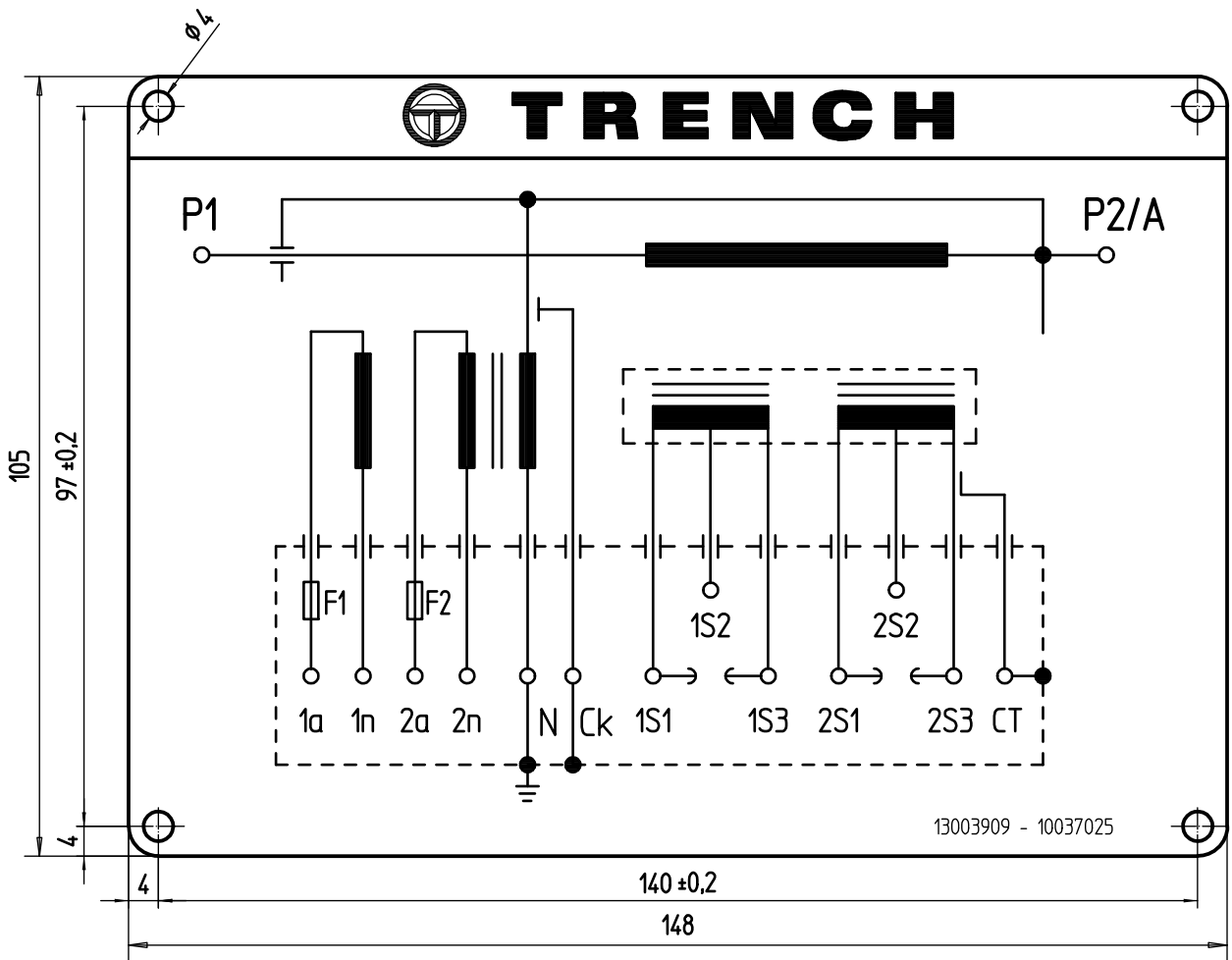
13003909

No. : 2121387 ... 2121389

Project: Mumbida Wind farm D-4058  
Client: Leighton Contractors

Abmessungen in mm Grund : Stahl 18/8 Schrift und Rand : Laser beschriftet Material: Stahl 18/8		Dimensions en mm Fond : Acier inoxydable 18/8 Ecriture + bord : Gravure laser Matériau : Acier inoxydable 18/8		Dimensions in mm Ground : Stainless Steel 18/8 Writing + border : Laser engraving Material : Stainless Steel 18/8	
Drawn :	Checked :	Material :	Dimensions :	Mass :	Material No :
02.02.2012	03.02.2012	14301	1 x 105 x 148		
D.Grunder	D.Beer	Title :		General tolerance : ISO 2768-c	
Modifications :		Rating plate Combin. current-voltage transf Type IVOKT 145		Scale : 1:1	
Modified :	Checked :			 <b>TRENCH</b> TRENCH Suisse - France	
		Stock/Req. No :	Sheet : 1		
 		Substitute for :	<b>4-10037024</b>		
		Substituted by :			


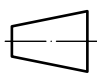

Copyright of this drawing is with the company TRENCH Suisse-France.  
 Without written agreement it's forbidden to make copies of this  
 drawing as well as forwarding it to third persons.

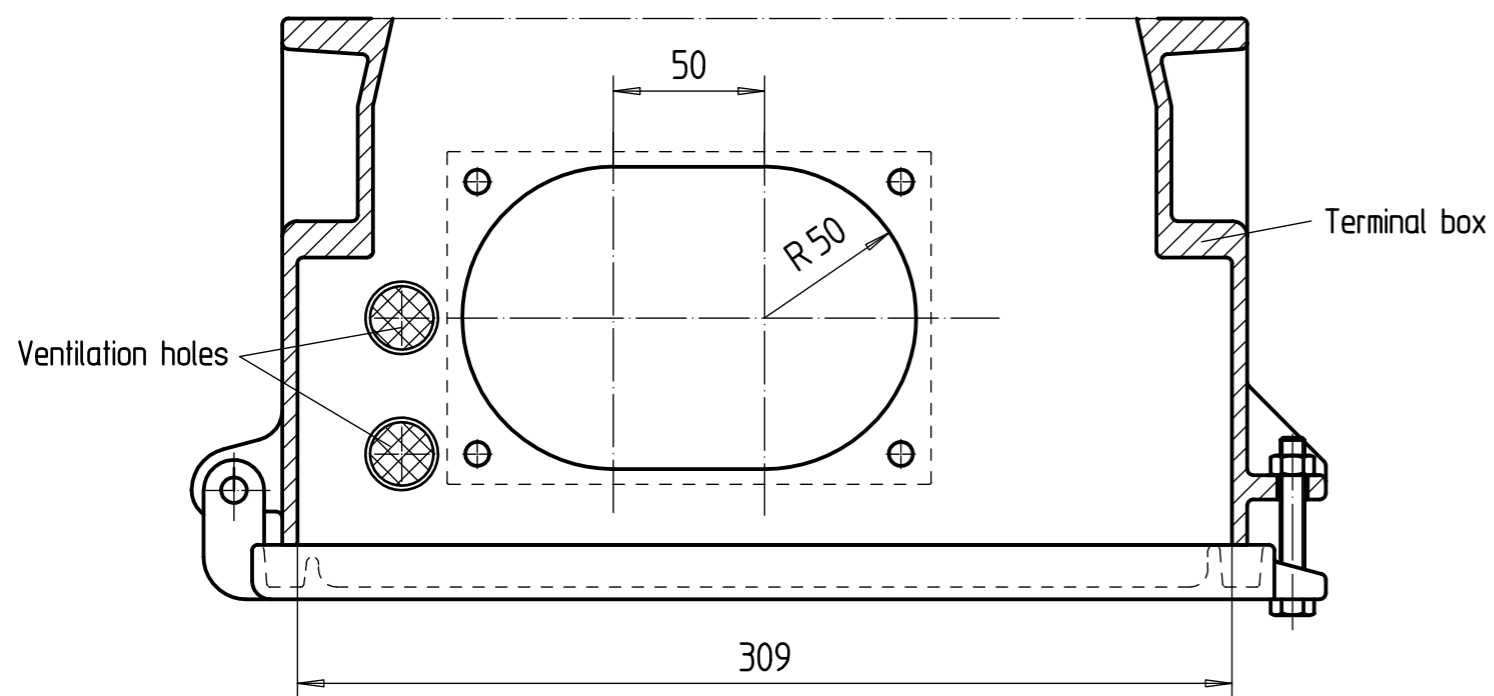
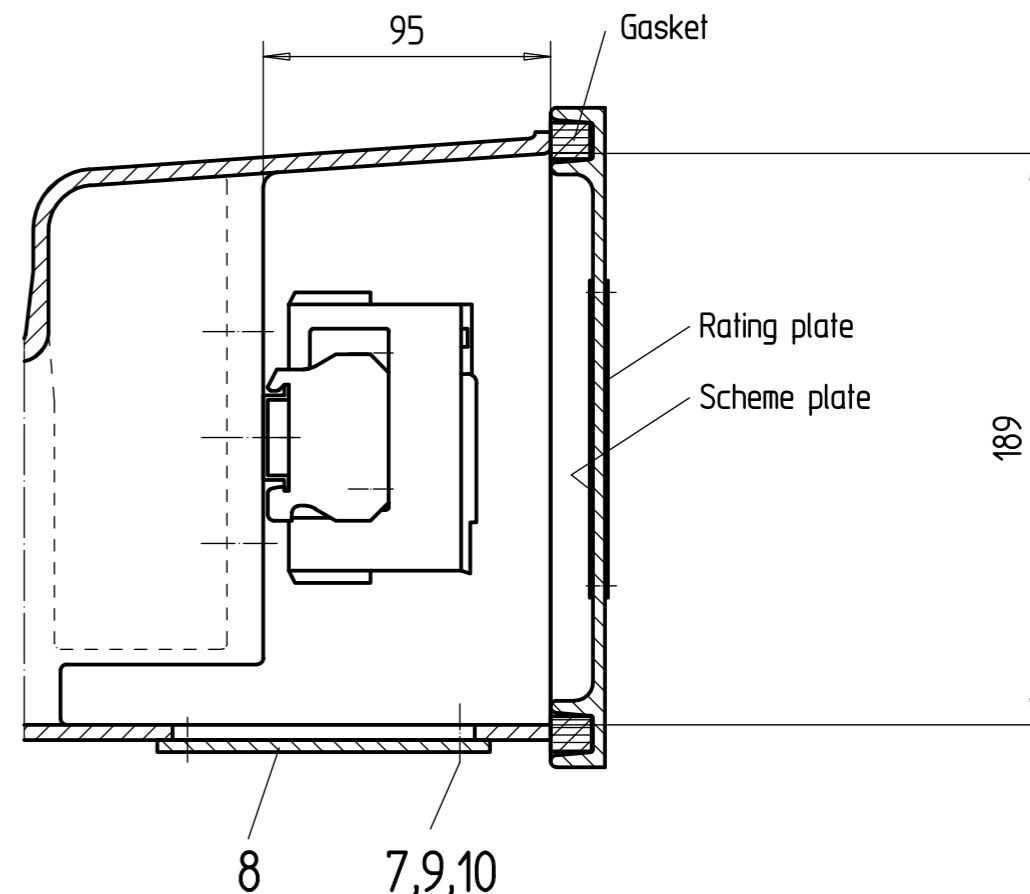
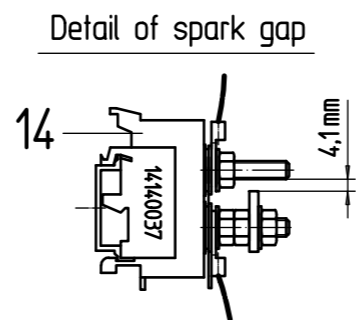
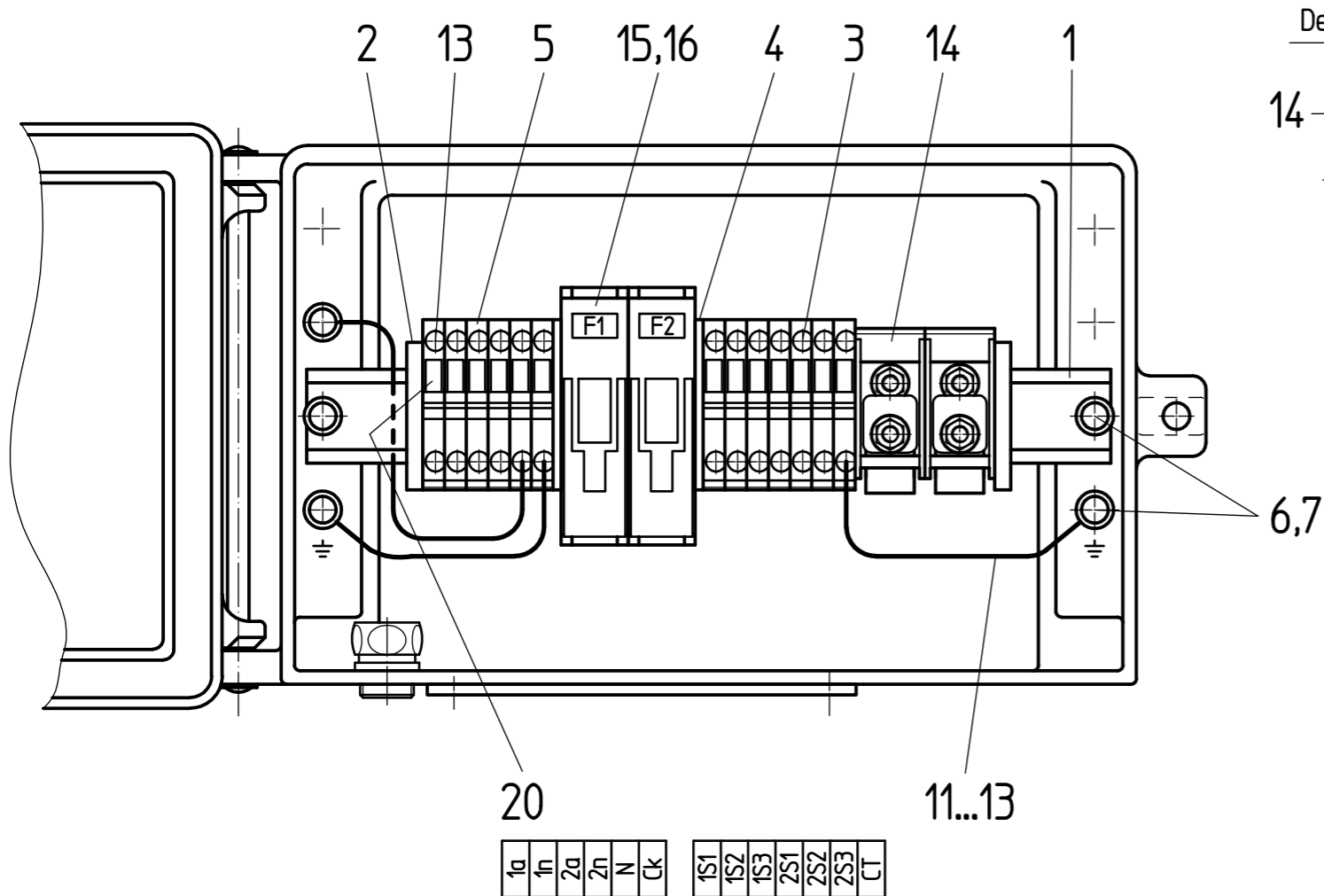


13003909 - 10037025

13003909

Project: Mumbida Wind Farm -D4058  
 Client: Leighton Contractors

Abmessungen in mm Grund : Stahl 18/8 Schrift : Schwarz Material : Stahl 18/8		Dimensions en mm Fond : Acier inoxydable 18/8 Ecriture : noir Matériau : Acier inoxydable 18/8		Dimensions in mm Ground : Stainless steel 18/8 Writing : black Material : Stainless steel 18/8	
Drawn :	Checked :	Material :	Dimensions :	Mass :	Material No :
03.02.2012	03.02.2012	14301	1 x 105 x 148		
D.Grunder	D.Beer	Title : <b>Scheme plate</b> <b>Combin. current-voltage transf</b> Type IVOKT			General tolerance : ISO 2768-c
Modifications :					Scale : 1:1
Modified :	Checked :	Stock/Req. No :			 <b>TRENCH</b> TRENCH Suisse - France
 		Substitute for :			4-10037025
		Substituted by :			




Protection grade : IP55

Item	Designation	Item	Designation
1	Rail	9	Screw
2	Stop piece	10	Nut
3,13	Cap	11...13	Connection
4	Closing wall	14	Spark gap
5	Terminal block 6-10mm <sup>2</sup> Weidmüller PDU	15,16	Fuse holder Busmann type CM-32FC with link NIT 32 (32A)
6	Screw		
7	Washer		
8	Gland plate	20	Marking

13003909

Project: Mumbida Wind Farm D-4058  
Client: Leighton Contractors

Drawn :	Checked :	Material :	Dimensions :	Mass :	Material No :
03.02.2012	07.02.2012				
D.Grunder	JL.Dhers	Title :			General tolerance :
Modifications :		Terminal box			Scale : 1:3
Modified :	Checked :	Combin. current-voltage transf			
		Type IVOKT 145			
		Stock/Req. No :			Sheet : 1
		Substitute for :			 <b>TRENCH</b> TRENCH Suisse - France
		Substituted by :			

Copyright of this drawing belongs to TRENCH Suisse-France.  
Without written agreement it's forbidden to make copies of this drawing as well as forwarding it to a third party.

3-10037026