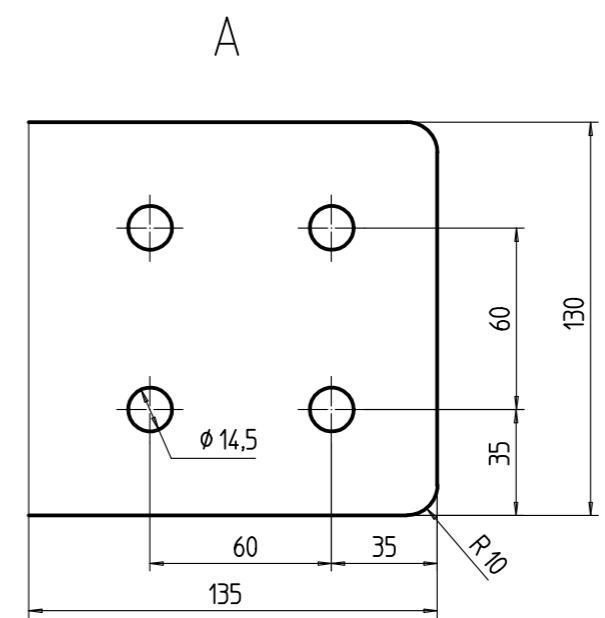
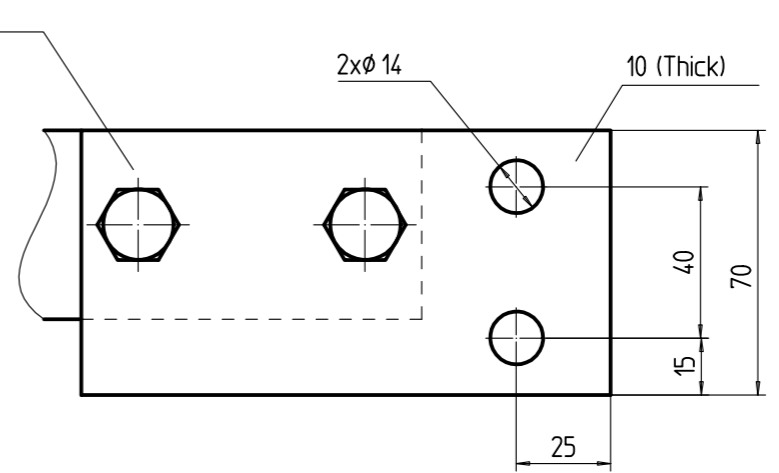
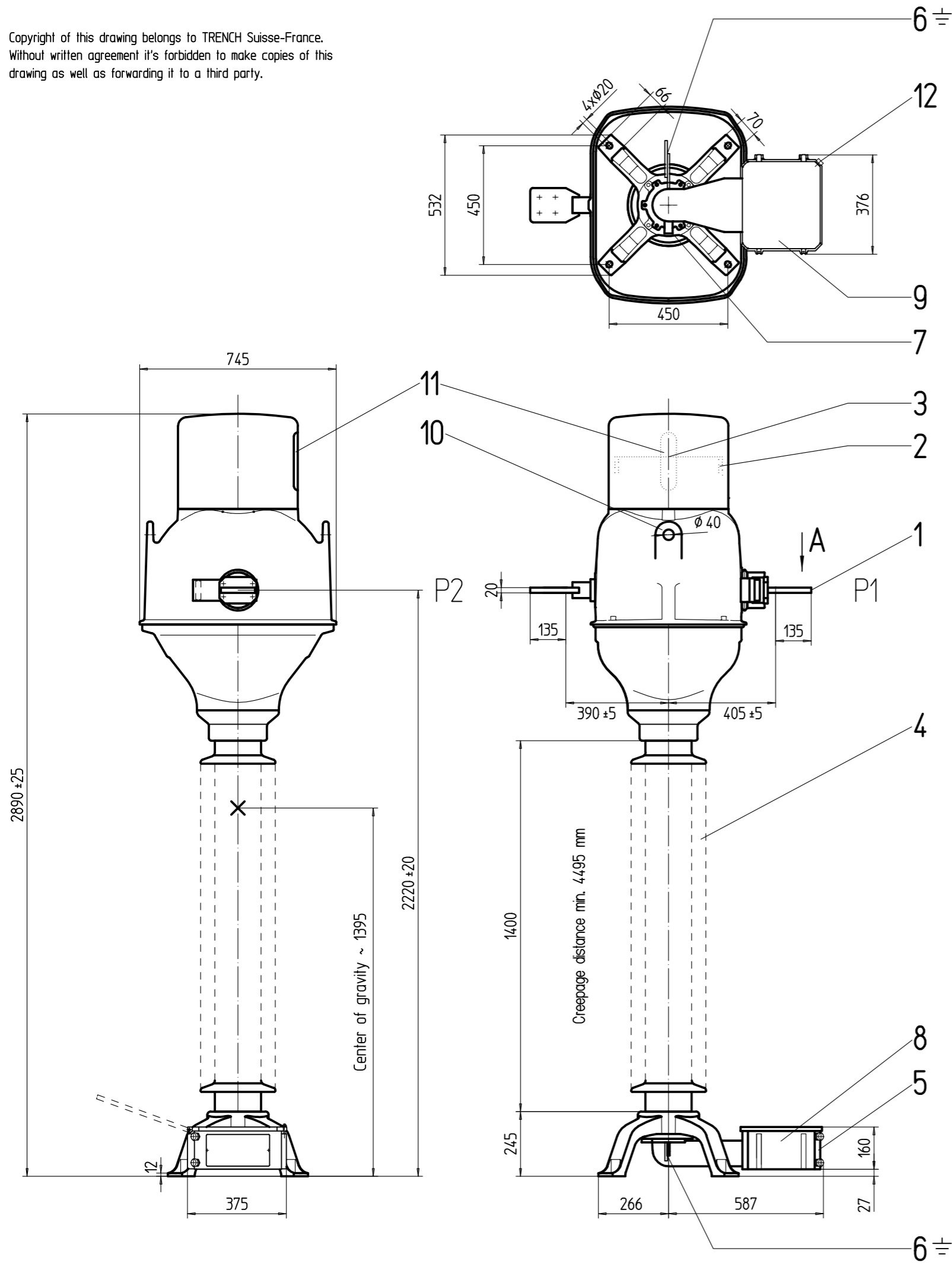



Copyright of this drawing belongs to TRENCH Suisse-France.
Without written agreement it's forbidden to make copies of this drawing as well as forwarding it to a third party.

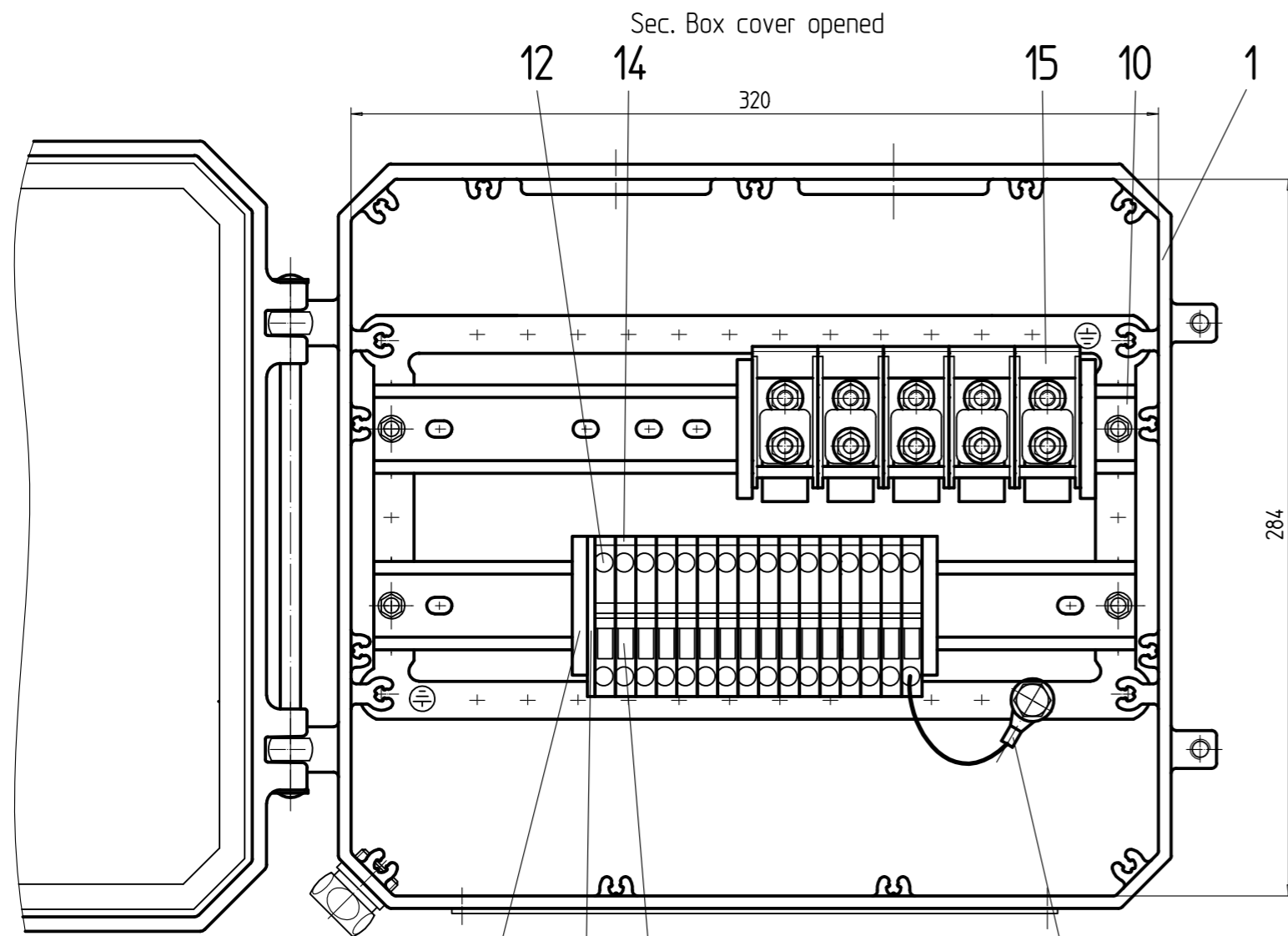


Dimensions in mm

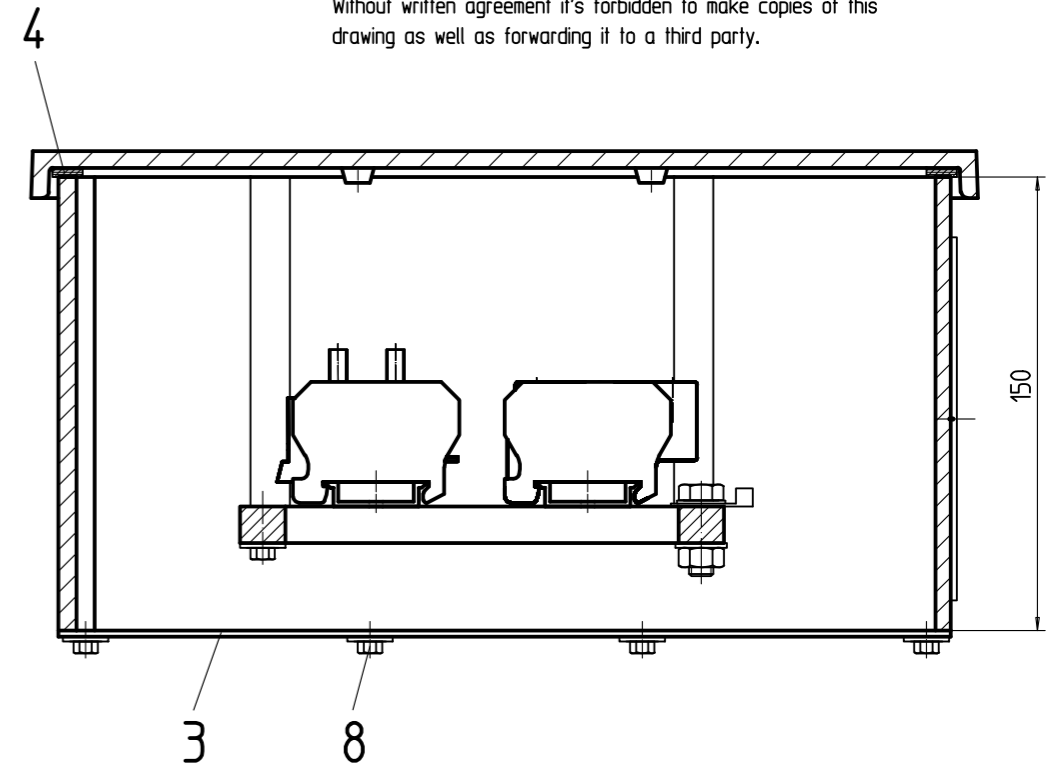
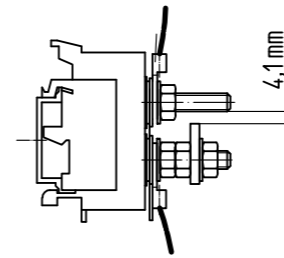
Item	Designation	Item	Designation
1	Primary terminal Al	8	Terminal box
2	Metallic bellows	9	Grand plate
3	Filing plug	10	Lifting lugs
4	Porcelain insulator	11	Bellows-position indicator
5	Rating-scheme plate	12	Gauze
6	Earthing terminal Al		
7	Oil drain plug		

Project: Mumbida Wind Farm D-4058
Client: Leighton Contractors

Art. :		M1002544			
Mass total approx. :		455 kg			
Drawn :	Checked :	Material :	Dimensions :	Mass :	Material No :
08.02.2012	10.02.2012				
R.Rumler	Ch.Spindler	Title :			General tolerance :
Modifications :		Outline drawing			Scale : 1:17
Modified :		Current transformer			
Checked :		Type IOSK 145			
		Stock/Req. No :			Sheet : 1/3
		Substitute for :			
		Substituted by :			
					3-10037125

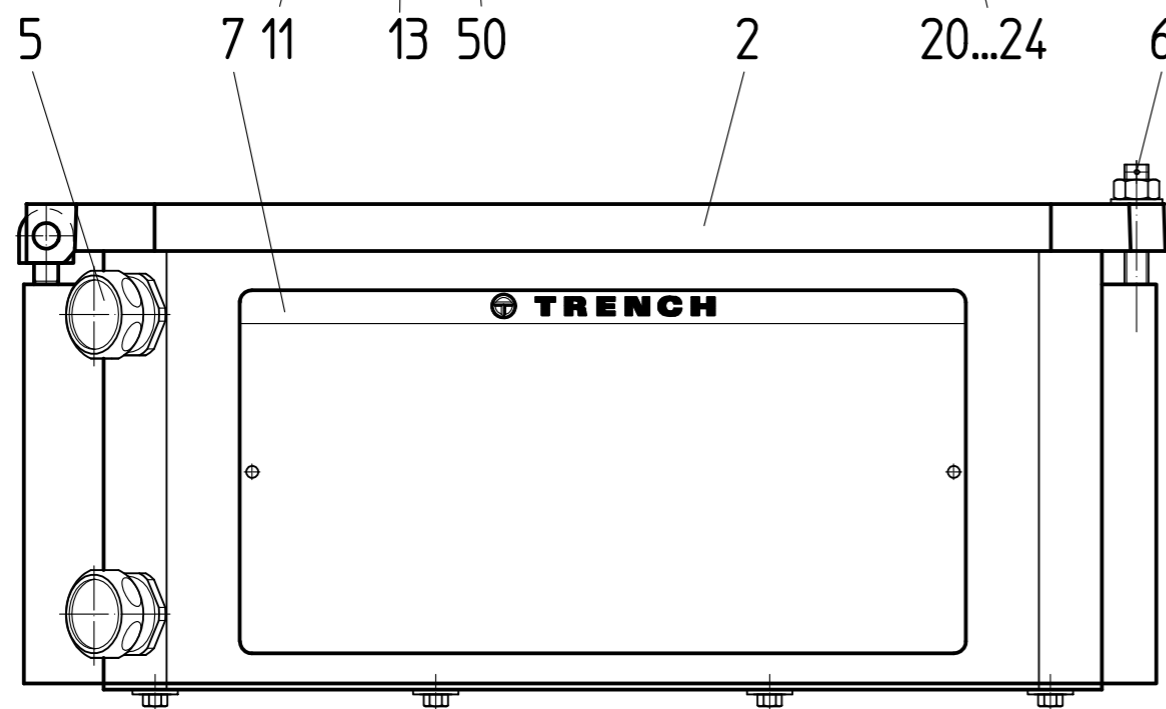


Detail of spark gap



Copyright of this drawing belongs to TRENCH Suisse-France. Without written agreement it's forbidden to make copies of this drawing as well as forwarding it to a third party.

Protection grad : IP55




Marking

1S1	1S2	1S3	2S1	2S2	2S3	3S1	3S2	3S3	4S1	4S2	4S3	5S1	5S2	5S3	CT
-----	-----	-----	-----	-----	-----	-----	-----	-----	-----	-----	-----	-----	-----	-----	----

Project: Mumbida Wind Farm D-4058
Client: Leighton Contractors

Item	Designation	Item	Designation
1	Box (Al)	10	Rail (Al)
2	Cover (Al)	11	Stop piece
3	Grand plate (Al)	12	Cap
4	Gasket	13	Closing wall
5	Gauze IP55	14	Terminal block 6-10mm ² Weidmüller PDU
6	Hex nut M8 Stainless - steel	15	Sparkgap
7	Rating-scheme plate	20...24	Grounding connection
8	Screw Stainless steel	50	Marking

M1002544					
Drawn :	Checked :	Material :	Dimensions :	Mass :	Material No :
08.02.2012	10.02.2012				
R.Rumler	Ch.Spindler	Title :		General tolerance :	
Modifications :		Terminal box		Scale : 1:2.5	
Modified :		Current transformer			
	Checked :	Type IOSK 145			
		Stock/Req. No :		Sheet : 2/3	
		Substitute for :		 3-10037125	
		Substituted by :			

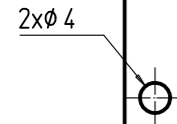


CURRENT TRANSFORMER IOSK 145

10037125/

Project No. Year Mass Vol. Insul Oil Type

U_m Ins. Lev. f_N I_{dyn} I_{th} I_{pn}

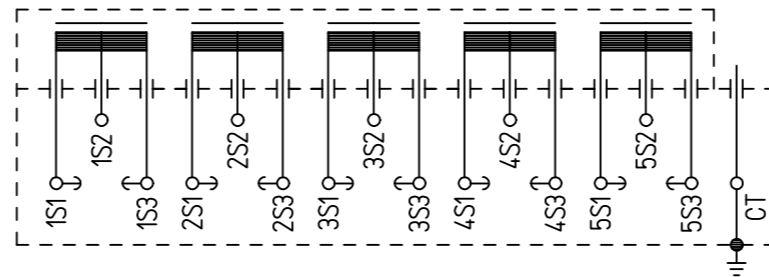


120



AS 60044-1:2003

I_{pn} (A)	P1 - P2 1600			
Core	1S1-1S3	1S1-1S2	3S1-3S3	3S1-3S2
	2S1-2S3	2S1-2S2		
	4S1-4S3	4S1-4S2		
	5S1-5S3	5S1-5S2		
K_n (A/A)	1000/1	500/1	600/5	300/5
(VA)			30	30
Class	0.05PX1200R4		0,2	0,2



240

Project	Art.	Serie No.	Year
0025663-20	M1002544	2121390 ... 2121392	2012

Abmessungen in mm : 1x120x240 Grund : Stahl 18/8 Schrift : Schwarz Material : Stahl 18/8 1.4301		Dimensions en mm : 1x120x240 Fond : Acier inoxydable 18/8 Ecriture : noir Matériau : Acier inoxydable 18/8 1.4301		Dimensions in mm : 1x120x240 Ground : Stainless steel 18/8 Writing : black Material : Stainless steel 18/8 1.4301	
Drawn :	Checked :	Material :	Dimensions :	Mass :	Material No :
08.02.2012	10.02.2012				
R.Rumler	Ch.Spindler	Title :			General tolerance :
Modifications :		Rating-scheme plate			Scale : 1:1
Modified :		Current transformer			
		Type IOSK 145			
		Stock/Req. No :			Sheet : 3/3
		Substitute for :			 TRENCH Suisse - France
		Substituted by :			
					3-10037125

Copyright of this drawing belongs to TRENCH Suisse-France.
Without written agreement it's forbidden to make copies of this drawing as well as forwarding it to a third party.

Project: Mumbida Wind Farm D-4058
Client: Leighton Contractors