

Intestinal Spirochaetes of the Genus *Brachyspira* Share a Partially Conserved 26 Kilobase Genomic Region with *Enterococcus faecalis* and *Escherichia coli*

Yair Motro¹, David S. Dunn¹, Tom La², Nyree D. Phillips², David J. Hampson² and Matthew I. Bellgard¹

¹Centre for Comparative Genomics, Murdoch University, Murdoch, Western Australia, Australia.

²School of Veterinary and Biomedical Sciences, Murdoch University, Murdoch, Western Australia 6150, Australia.

Abstract: Anaerobic intestinal spirochaetes of the genus *Brachyspira* include both pathogenic and commensal species. The two best-studied members are the pathogenic species *B. hyodysenteriae* (the aetiological agent of swine dysentery) and *B. pilosicoli* (a cause of intestinal spirochaetosis in humans and other species). Analysis of near-complete genome sequences of these two species identified a highly conserved 26 kilobase (kb) region that was shared, against a background of otherwise very little sequence conservation between the two species. PCR amplification was used to identify sets of contiguous genes from this region in the related *Brachyspira* species *B. intermedia*, *B. innocens*, *B. murdochii*, *B. alvinipulli*, and *B. aalborgi*, and demonstrated the presence of at least part of this region in species from throughout the genus. Comparative genomic analysis with other sequenced bacterial species revealed that none of the completely sequenced spirochaete species from different genera contained this conserved cluster of coding sequences. In contrast, *Enterococcus faecalis* and *Escherichia coli* contained high gene cluster conservation across the 26 kb region, against an expected background of little sequence conservation between these phylogenetically distinct species. The conserved region in *B. hyodysenteriae* contained five genes predicted to be associated with amino acid transport and metabolism, four with energy production and conversion, two with nucleotide transport and metabolism, one with ion transport and metabolism, and four with poorly characterised or uncertain function, including an ankyrin repeat unit at the 5' end. The most likely explanation for the presence of this 26 kb region in the *Brachyspira* species and in two unrelated enteric bacterial species is that the region has been involved in horizontal gene transfer.

Abbreviation: ACT: Artemis Comparison Tool; bp: base pair; COG: clusters of orthologous groups; DNA: deoxyribonucleic acid; GC: guanine plus cytosine; GC3: guanine plus cytosine at the third base position on a codon; HGT: horizontal gene transfer; kb: kilobase; Mb: megabase; PCR: polymerase chain reaction.

The GenBank accession numbers for the genome region sequences for *Brachyspira hyodysenteriae* WA-1 and *Brachyspira pilosicoli* 95/1000 are EF694538 and EF694539, respectively.

Introduction

The genus *Brachyspira* currently includes seven officially named species of anaerobic Gram-negative spirochaetes that colonise the large intestine of various species of animals and birds (Hampson and Stanton, 1997). The best studied of these are the two pathogenic species *B. hyodysenteriae* and *B. pilosicoli*. *B. hyodysenteriae* is the causative agent of swine dysentery, an important disease of swine that is characterised by severe mucohaemorrhagic diarrhoea (Hampson et al. 2006). *B. pilosicoli* is the causative agent of intestinal spirochaetosis, a condition associated with mild colitis and diarrhoea. It is best known as a disease of pigs, but can also affect poultry, dogs, horses and human beings (Hampson and Duhamel, 2006).

Recent insights into *Brachyspira* species evolution and interactions have been obtained from investigations into gene transfer associated with a novel prophage-like agent (Stanton et al. 2001; Stanton et al. 2003; Matson et al. 2005), analysis of the population structures and species relatedness using multilocus enzyme electrophoresis (Trott et al. 1997; Trott et al. 1998) and multilocus sequence typing (Råsbäck et al. 2007), and investigations of genomic rearrangements between *B. hyodysenteriae* and *B. pilosicoli* by comparing limited physical genomic maps (Zuerner et al. 2004). The close similarities of the 16S rRNA sequences of the various *Brachyspira* species indicate that *Brachyspira* speciation has

Correspondence: Yair Motro, Centre for Comparative Genomics, Murdoch University, Murdoch, Western Australia, Australia. Email: ymotro@ccg.murdoch.edu.au



Copyright in this article, its metadata, and any supplementary data is held by its author or authors. It is published under the Creative Commons Attribution By licence. For further information go to: <http://creativecommons.org/licenses/by/3.0/>.

occurred more recently than it has in many other bacterial genera (Paster and Dewhirst, 1997). The sizes of the *B. hyodysenteriae* and *B. pilosicoli* genomes have been estimated at 3.2 megabase (Mb) and 2.45 Mb, respectively (Van Der Zeijst and ter Huurne, 1997).

In the current study, comparative analysis of near-complete genome sequences of *B. hyodysenteriae* and *B. pilosicoli* identified a highly conserved 26 kilobase (kb) genomic region shared by the two species, against a backdrop of otherwise low genome sequence conservation. This genomic region was not found in spirochaetes from other genera, but was partially conserved in *Enterococcus faecalis* and *Escherichia coli*.

Methods

Spirochaete strains

The *Brachyspira* species strains used in the study were obtained from the culture collection held at the Reference Centre for Intestinal Spirochaetes, Murdoch University, Western Australia. These included five strains each of *B. hyodysenteriae* (strains WA1, B204, P18A, B169, and SA3), *B. pilosicoli* (strains 95/1000, CSP-1, WesB, HRM7B, and P43/6/78^T), four strains of *B. intermedia* (strains HB60, PWS/A^T, P280/1, and 889), *B. innocens* (strains B256^T, 4/71, 89/840, and UNL-2), and *B. murdochii* (strains UNL-1, 89/2209, 155.2, and 56/150^T), three strains of *B. aalborgi* (strains 513^T, W1, and W2) and two strains of *B. alvinipulli* (strains C1^T and C2). The strains originated from different host species (pigs, chickens and humans), and were isolated in Australia, Europe, Scandinavia and North America. The two strains that were sequenced were isolated in Australia from pigs with diarrhoea. The identity of all strains used previously had been established using phenotypic testing, species-specific PCR assays (where available) and analysis of 16S rRNA gene sequences.

Media and culture conditions

Individual spirochaete strains were propagated at 37 °C in Kunkle's pre-reduced anaerobic broth containing 2% (vol/vol) foetal bovine serum and a 1% (vol/vol) ethanolic cholesterol solution (Kunkle et al. 1986). Cells were harvested from mid-log phase culture and counted using a

haemocytometer chamber. For polymerase chain reaction (PCR) analysis, the harvested cells were resuspended with 10 mM Tris-HCl (pH 8.0) to a cell density of 10⁴ cells/ml and lysed by boiling for 30 sec. Two µl of the resuspended cells was used directly for the assays.

Genomic sequencing and assembly

A whole genome shotgun sequence strategy was used to sequence *B. hyodysenteriae* strain WA-1 and *B. pilosicoli* strain 95/1000 under a commercial contract with the Australian Genome Research Facility, University of Queensland, Brisbane. Approximately 5× coverage raw sequence reads were assembled into contigs using Phred and Phrap (<http://bozeman.mbt.washington.edu/phredphrap-consed.html>), using default parameters.

Gene prediction

Gene predictions for both genomes were performed using Glimmer [version 2.13] (Delcher et al. 1999). To assign a putative function, each coding sequence was translated using the EMBOSS package (Rice et al. 2000) program SIXPACK, and then compared to the non-redundant protein database from NCBI using the BLASTp algorithm (BLAST version 2.2.6; Altschul et al. 1990). Matches were considered significant if there was greater than 30% sequence identity and 60% hit coverage (Konstantinidis and Tiedje, 2005). Signal peptide motifs and protein localisation were predicted for all translated coding sequences, using SignalP (Nielsen et al. 1997), and PSORT-B (Gardy et al. 2003), respectively.

Sequence composition

The guanine plus cytosine (GC) composition was calculated for all genes using the EMBOSS program GEECEE for overall GC-content, and EMBOSS program WOBBLE for GC-content at the third base of each codon (GC₃).

Sequence comparisons

The assembled partial (~90%) genome sequences of the two spirochaetes were compared at the nucleotide level, by concatenating all contigs for each genome into "pseudo-genomes", and then using the program Dotter version 3.1 (Sonnhammer and Durbin, 1995). Dotter was also used to compare the 26 kb region in *B. hyodysenteriae* WA-1

with a similar region in *Enterococcus faecalis* strain V583.

Similar region identification

The 26 kb region in *B. hyodysenteriae* WA-1 was compared to all available bacterial genomes from GenBank (548 bacterial genomes, as of 23/10/07) using the BLAST \times algorithm from BLAST (Altschul et al. 1990), at a maximum e-value stringency of 10^{-30} . Using Son of Eric (version 3.2; <http://ccg.murdoch.edu.au/soe/>), regions with clustered protein sequence matches were manually identified and selected for further investigation. In order to reduce redundancy (due to the high similarity between the *E. coli* strains), some analyses only included one strain of *E. coli* (*E. coli* K-12) as a species representative.

Similar region analysis

The similar regions were isolated from the genome sequence using EMBOSS program EXTRACT-SEQ. Sequences were aligned using CLUSTALW (version 1.83.1, Thompson et al. 1994). Statistics of the alignments were obtained using the EMBOSS program INFOALIGN. The Percent Change was calculated as $[(\text{Align Length} - \text{Identical}) \times 100]$ divided by Align Length. The Percent Change value was the indicator for sequence similarity, with Percent Change inversely proportional to sequence similarity. The final nucleotide similarity values presented throughout this investigation were calculated by subtracting Percent Change from 100%.

The 26 kb region of *B. hyodysenteriae* WA-1, *B. pilosicoli* 95/1000, and *E. faecalis* V583 were compared using the tBLAST \times algorithm from BLAST (Altschul et al. 1990). Results, with matches having a BLAST score greater than 400, were visualised using the Artemis Comparison Tool (ACT) (version 4; Carver et al. 2005). ACT was also used to predict coding sequence and GC composition of the similar region.

Gene order of the 26 kb region in *B. hyodysenteriae* WA-1, *B. pilosicoli* 95/1000, *E. faecalis* V583, *Photobacterium profundum* strain SS9, and *E. coli* strains Sakai (serotype O157:H7), EDL933 (serotype O157:H7), K-12, and CFT073 was investigated using the BLASTp algorithm from BLAST (Altschul et al. 1990). All proteins in the regions were compared, and significant matches were considered those with more than 30% identity

covering more than 60% of the protein, and a maximum e-value of 9×10^{-30} .

Gene function was putatively assigned from a Hidden Markov Model (HMM) built using the clusters of orthologous groups (COG) database (<http://cogplus.tau.ac.il/>; Tatusov et al. 2001) and using the program HMMer (Eddy, 1998). Function was assigned to coding sequences with a significant match (e-value less than 10^{-04}) at the amino acid level.

Operon predictions for *E. faecalis* V583, *E. coli* strains Sakai, EDL933, K-12 and CFT073, and *P. profundum* SS9, were obtained from the VIMSS database (from <http://www.microbesonline.org/operons/>; Price et al. 2005).

Primer design and PCR for core genes

Nine primer pairs were designed, using Oligo Explorer version 1.1.0 (OligoSoftware), to investigate the contiguity of nine core genes (genes BH3-BH11 in *B. hyodysenteriae* WA-1) amongst the listed strains of the different *Brachyspira* species. Primer pairs were designed so that the resulting amplicons overlapped adjacent genes (Fig. 1). The primer sequences are listed in Table 1. Spirochaetal deoxyribonucleic acid (DNA) was amplified by long-range PCR in a 25 μ l total volume using the AdvantageTM 2 PCR Enzyme System (BD Biosciences), according to the manufacturer's instructions. Briefly, amplification mixtures consisted of 1 \times BD Advantage Polymerase Mix, 0.2 mM of each deoxyribonucleotide triphosphate (Promega), 0.5 μ M of forward primer, 0.5 μ M of reverse primer, and 2 μ l spirochaete chromosomal DNA. Cycling conditions involved an initial 5 min template denaturation step at 95 $^{\circ}$ C, followed by 30 cycles of denaturation at 95 $^{\circ}$ C for 30 sec, annealing at 50 $^{\circ}$ C for 30 sec, and a primer extension at 68 $^{\circ}$ C for 3 min. The PCR products were subjected to electrophoresis in a 1% (w/v) agarose gel in 1 \times TAE buffer (40 mM Tris-acetate, 1 mM ethylenediamine tetraacetic acid), stained with ethidium bromide and viewed over ultraviolet light. All PCR analyses were performed in triplicate. The apparent molecular mass of the amplification products was determined by comparison with a 1 kb DNA ladder (New England Biolabs).

GenBank submission

The nucleotide sequences of the 26 kb regions in *B. hyodysenteriae* WA-1 and *B. pilosicoli* 95/1000 were submitted to GenBank, and were given

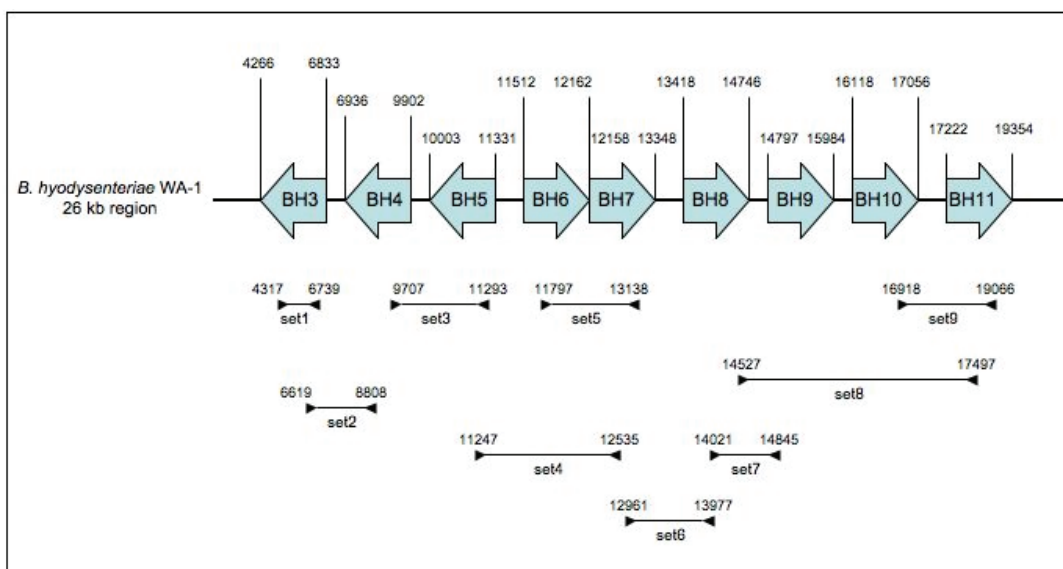


Figure 1. Diagrammatic representation of the annealing position and amplicons of the nine primer sets used for PCR over nine genes (BH3-BH11) in the 26 kb region of *B. hyodysenteriae* WA-1. The primer sequences are shown in Table 1.

accession numbers EF694538 and EF694539, respectively.

Results

Comparative genome analysis of the 26 kb region

A dot plot analysis conducted between the pseudo-genomes of *B. hyodysenteriae* WA-1 and

B. pilosicoli 95/1000 at the nucleotide level revealed a single conserved 26 kb region (78% nucleotide similarity) amongst a background of low sequence similarity between the two species.

The coding sequences identified in the 26 kb region displayed significant similarity to sequences in 27 of the 548 published bacterial genomes that were analysed. Six genomes contained regions with gene clusters similar to the 26 kb region, these being *E. faecalis* V583 (base positions

Table 1. Oligonucleotide primers used in PCR reactions for contiguity analysis of nine core genes in *Brachyspira* species strains.

Primer set	Primer name	Sequence (5-3)
1	Bh-1F	TTAAACTTATAATAAGCCAAAGCAAC
	Bh-1R	AAATCAGTAAAAGACGGATGTTCTG
2	Bh-2F	TGAACGCTTTTGCCCTGCAATC
	Bh-2R	AGATGCAGGAATTTGGCCTG
3	Bh-3F	TATATTTTGAGCCAAGTATG
	Bh-3R	CTGCTAAGCCATTTATTGAAGATG
4	Bh-4F	TGCCGTCACAAAGAACTGCACC
	Bh-4R	ACCATGGTTACCGTCAGTAGC
5	Bh-5F	CAGTCTTCATAAAAGATACAAACG
	Bh-5R	CAGATTCACCAGATACTACTTGAG
6	Bh-6F	AGGTGCTGTAGCAGGCGATGG
	Bh-6R	TGACCTCTGTAGATACCGCCGT
7	Bh-7F	TGCCACGGTTCTGCTCCAGA
	Bh-7R	TGCCGAATTCAAGGCTATCGAG
8	Bh-8F	CCAGAAATAGATAAAGAAAGAAAAGC
	Bh-8R	GCCAGTCAGATAATCATAGTAGC
9	Bh-9F	CAGTTTGCTCCTGGTTCTATGC
	Bh-9R	CGCCTTTTATCTGACCTTCAAC

2479008–2500903; 21.985 kb), *P. profundum* SS9 (base positions 2220950–2294950; 74 kb), and *E. coli* strains Sakai (base positions 3738676–3770965; 32.298 kb), EDL933 (base positions 3805982–3838273; 32.291 kb), K-12 (base positions 2998367–3022208; 23.841 kb), and CFT073 (base positions 3296747–3329078; 32.331 kb). None of the other available spirochaete genomes (from the genera *Treponema*, *Borrelia* and *Leptospira*) contained a similar gene cluster.

Sequence similarity and dot plot analyses of the *B. hyodysenteriae* WA-1 26 kb region and the similar region in *E. faecalis* V583 displayed the highest inter-genera nucleotide conservation (43.3% nucleotide similarity), while analyses of the *B. hyodysenteriae* WA-1 26 kb region with *E. coli* and *P. profundum*, displayed dispersed regions of similarity. Nucleotide similarity ranged from 35.5% to 40.2% for *E. coli*, depending on the strain.

Coding sequence %GC composition analysis gave averages of 29, 29, 37.2, 42 and 51 for *B. hyodysenteriae*, *B. pilosicoli*, *E. faecalis*, *P. profundum* and *E. coli* K-12, respectively. The %GC for the *E. faecalis* genes EF2573, EF2575, EF2577–EF2579, and EF2581–EF2583 (Fig. 2) was below 40%, similar to the %GC of the 26 kb

region coding sequences in *B. hyodysenteriae* and *B. pilosicoli* (~35%), even though their genome averages are approximately 27%. Finally, for the coding sequences analysed in this investigation, no variation was identified between the %GC and the %GC at the third base position (%GC₃) (data not shown).

The base composition of the flanking genomic regions of the 26 kb region in *B. hyodysenteriae*, *B. pilosicoli*, *E. faecalis*, and *E. coli* K-12 (as representative of the *E. coli* strains), displayed distinct changes in GC content (%GC), where the average %GC in the flanking regions display an increase or decrease from the 26 kb region %GC. In *B. hyodysenteriae* (complete 26 kb region), *B. pilosicoli* (complete 26 kb region), and *E. coli* K-12 (a seven-gene cluster), the flanking regions displayed distinct changes of 15, 17, and 10 %GC respectively, while in *E. faecalis* (an eleven-gene cluster), the flanking regions displayed changes of 5 %GC. No distinct %GC changes were identified in the flanking regions of the two gene clusters in *P. profundum*.

The gene function prediction, gene organization, and gene similarity in the 26 kb region between the two *Brachyspira* species and *E. faecalis* are shown in Figure 2. Fifteen coding

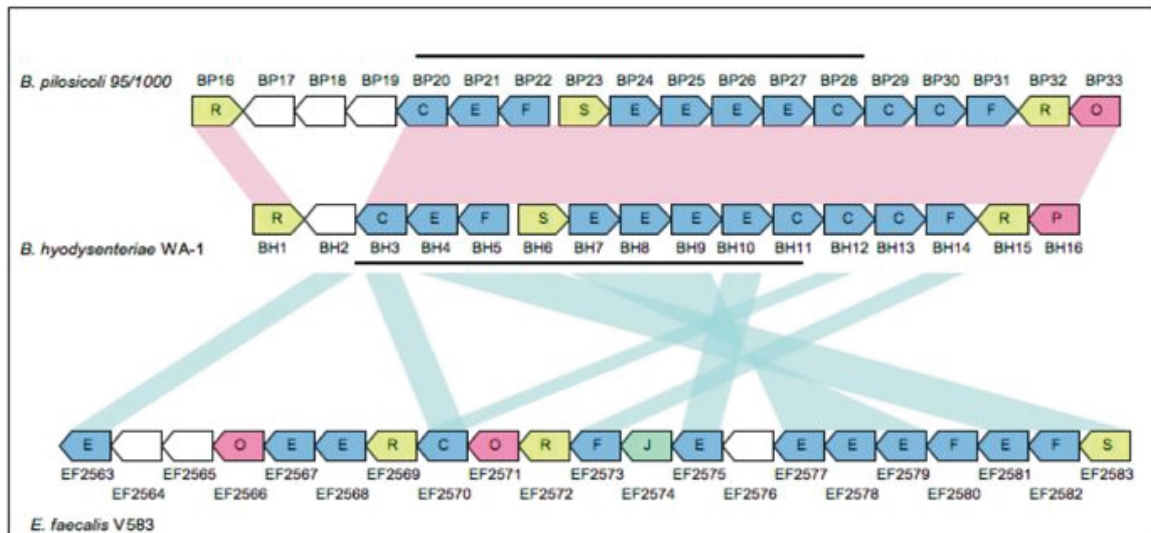


Figure 2. Gene order and function of the similar regions in *B. hyodysenteriae* WA-1, *B. pilosicoli* 95/1000, and *E. faecalis* V583, are illustrated diagrammatically. Genes shared between the regions are highlighted with connecting purple lines. The genes in these regions have been designated a number of COG functional categories (<http://www.ncbi.nlm.nih.gov/COG/>), each represented by a different colour. Genes associated with metabolism are coloured blue, those associated with information storage and processing are green, those associated with cellular processes are red, unclassified functional group genes are yellow and those genes that did not associate with any of the functional groups in the database are white. Two horizontal black lines indicate the region with the greatest gene order conservation. The diagram illustrates a conservation of gene order, and gene function between the similar regions of the Gram-positive bacterium *E. faecalis* V583 and the Gram-negative spirochaetes *B. hyodysenteriae* WA-1 and *B. pilosicoli* 95/1000.

sequences were conserved as identical clusters between the 26 kb regions of *B. hyodysenteriae* and *B. pilosicoli*. Eleven coding sequences were conserved in *E. faecalis*, *B. hyodysenteriae* and *E. coli* strain CFT073, while 10 coding sequences were conserved in *E. coli* strains Sakai, EDL933 and K-12, and eight coding sequences were conserved in the *P. profundum* genome (data not shown).

Of the 16 genes in the *B. hyodysenteriae* 26 kb region, five were associated with amino acid transport and metabolism (COG functional group E), four were associated with energy production and conversion (COG functional group C), two were associated with nucleotide transport and metabolism (COG functional group F), one was associated with inorganic ion transport and metabolism (COG functional group P), and four, one of which was characterised as an ankyrin repeat protein (BH1), were either poorly characterised (COG functional groups R and S), or unknown (BH2, BH6, BH15). The gene order in the 26 kb region of *B. hyodysenteriae* WA-1 and *B. pilosicoli* 95/1000 was identical, except for a two-gene insertion in *B. pilosicoli* (Fig. 2). At the 5' end of this 26 kb region, a distinct 2.5 kb ankyrin repeat sequence (COG0666 ankyrin repeat) was shared by the two species (genes BH11 and BP16, respectively). The ankyrin repeat sequence in *B. hyodysenteriae* and *B. pilosicoli* was absent from the similar regions in the other bacterial species. Other repeat sequences, predicted integrases and tRNA sites were not identified within 30 ORFs of the two *Brachyspira* 26 kb genomic regions (data not shown).

Gene clustering conservation between the *B. hyodysenteriae* WA-1 and *E. faecalis* V583 26 kb regions was found, with nine genes from a 14 gene cluster in *E. faecalis* found in *B. hyodysenteriae* (BH3–BH11) (Fig. 2). When compared to the order and orientation of the *B. hyodysenteriae* genes, the *E. faecalis* genes from EF2581 to EF2583 (BH4–BH6 in *B. hyodysenteriae*) showed the same order and direction, while genes EF2577 to EF2579 (BH7–BH9 in *B. hyodysenteriae*) were in reverse order and direction. In the *E. coli* strains and *P. profundum*, the genes similar to *B. hyodysenteriae* BH7, BH8 and BH9 were also arranged consecutively and in the same direction, but in different order (data not shown).

Operon predictions for the 26 kb similar regions in *E. faecalis*, *P. profundum*, and the *E. coli* strains indicate some likely operons exist within these

conserved clusters. The most consistent operon prediction was in seven of the eight genomes (with the exception being *P. profundum*), where genes corresponding to BP24–BP26 in *B. pilosicoli* were predicted to be an operon.

Distribution of PCR products in *Brachyspira* species and strains

Results of the PCR experiments undertaken to determine the presence and distribution of the 26 kb region in a number of related *Brachyspira* species and strains are summarised in Table 2. Nine genes from the 26 kb region (genes BH3 to BH11 in *B. hyodysenteriae*; BP20 to BP28 in *B. pilosicoli*), varied among the genomes of related *Brachyspira* species. All *B. hyodysenteriae* strains, the avian strain of *B. pilosicoli* (CSP-1), and the porcine strain of *B. murdochii* (155.20) possessed the complete set of nine genes in a conserved order. The remaining species investigated displayed PCR products for between three and eight of the nine PCR primer sets tested. The *B. alvinipulli* strains generated only three PCR products, which covered five genes (BH3, BH4, BH7–BH9). There was no correlation between the presence of the tested genes and the host species of origin, the geographical origin, or the known pathogenic potential of the *Brachyspira* species.

Discussion

Brachyspira hyodysenteriae and *B. pilosicoli* are both anaerobic spirochaetes that colonise the large intestine and initiate disease. Despite these similarities, the genomes of these two species lack genome sequence similarity. Nevertheless, against this background, the two species do share a 26 kb region that is highly conserved in nucleotide and amino acid sequence, and in predicted protein function.

Comparisons of the 26 kb region at both the nucleotide and amino acid sequence levels indicated that the coding sequences in this region are found in similar clusters in only two species, namely *E. faecalis* and the *E. coli* strains, while in *P. profundum* two small clusters were present. From an evolutionary perspective this similarity was unexpected, since the *Spirochaetes* are phylogenetically distinct from the *Firmicutes* and the *Proteobacteria*. Previously, similarities have been observed between the nicotinamide adenine dinucleotide oxidase genes in *B. hyodysenteriae*

Table 2. Results of PCR based contiguity analysis results for nine core genes in the 26 kb region in *Brachyspira* species. These results are from the primer sets described in Figure 1 and Table 1. A positive symbol indicates PCR product, while a negative symbol indicates lack of PCR product. At least five genes were present in all strains.

Species	Strain	PCR Primer Set									
		1	2	3	4	5	6	7	8	9	
<i>B. hyodysenteriae</i>	WA-1	+	+	+	+	+	+	+	+	+	
	B204	+	+	+	+	+	+	+	+	+	
	P18A	+	+	+	+	+	+	+	+	+	
	B169	+	+	+	+	+	+	+	+	+	
	SA3	+	+	+	+	+	+	+	+	+	
<i>B. pilosicoli</i>	95/1000	+	+	+	+	+	+	+	+	+	
	P43/6/78 ^T	+	+	-	+	-	+	+	+	+	
	CSP-1	+	+	+	+	+	+	+	+	+	
	WesB	+	-	+	+	+	-	-	+	+	
	HRM7B	+	-	-	+	-	+	+	+	+	
<i>B. intermedia</i>	PWS/A ^T	-	-	-	-	-	-	+	+	+	
	HB60-1	-	+	-	+	+	-	-	+	+	
	P280/1	-	-	-	-	-	+	-	+	+	
	889	+	-	-	+	-	-	-	+	+	
	C1 ^T	-	+	-	-	-	+	+	-	-	
<i>B. alvinipulli</i>	C2	-	+	-	-	-	+	+	-	-	
	<i>B. innocens</i>	B256 ^T	+	+	-	+	+	+	+	-	+
		4/71	+	+	-	+	+	+	+	+	+
		89/840	+	+	-	+	+	+	+	+	+
UNL-2		+	+	-	-	+	+	-	-	+	
<i>B. murdochii</i>	56/150 ^T	+	+	+	+	+	-	+	-	+	
	UNL-1	+	+	+	-	+	+	+	-	+	
	89/2209	+	-	+	+	+	-	+	+	-	
	155.20	+	+	+	+	+	+	+	+	+	
<i>B. aalborgi</i>	513 ^T	+	-	-	-	-	-	+	+	+	
	W1	+	+	-	-	-	-	+	+	+	
	W2	+	-	-	-	-	-	+	+	+	

and *E. faecalis*, and in this case a common gene ancestry was suggested as an explanation (Stanton and Sellwood, 1999).

Three potential reasons for gene order conservation between species have been suggested (Tamames, 2001). The first involves the region being conserved through a common ancestor, in a process known as vertical transfer (Lawrence, 2005). If this were the case for the 26 kb region, it would be expected that it would be present in other *Spirochaetes*, and not in two taxonomically unrelated species. A second reason is that the integrity of the cluster is important to the fitness of the cell. Two features are associated with gene clustering and cell efficiency: these are transcriptional units, which are clusters of related genes for transcriptional and/or translational efficiency (Wolf et al. 2001), and operons, which are clusters of functionally related genes for regulation purposes (Rocha and Danchin, 2003; Pal and Hurst, 2004). A number of the genes

present in the similar regions of *B. hyodysenteriae* and *B. pilosicoli*, and their similar proteins in *E. faecalis*, *E. coli*, and *P. profundum*, have been predicted to be associated with multiple operons. However, no known promoter regions or other regulatory elements were found in these regions and not all the clustered genes were directly involved in related cellular processes (data not shown). Hence it is unlikely that the whole region is a complete operon (Lathe et al. 2000). The third reason for gene order conservation is that it is a result of a horizontal gene transfer (HGT) event.

In support of the involvement of an HGT event as an explanation for the current observation, at the base composition level a distinctive sharp increase or decrease was observed in the GC content of the 26 kb region and in the similar regions in the other species. Such a pattern is characteristic of acquired DNA (Buchrieser et al. 2003), and in particular mobile genetic elements, such as

pathogenicity islands (Schmidt and Hensel, 2004). Further evidence for a potential HGT event was the presence of an ankyrin repeat sequence at the 5' end of the 26 kb region of both *B. hyodysenteriae* and *B. pilosicoli*. Repeat sequences are known to facilitate recombination, and also allow insertion of foreign DNA; for example, mobile genome islands (such as pathogenicity islands) may be flanked by direct repeats (Schmidt and Hensel, 2004). Furthermore, ankyrin repeats in bacterial genomes have been identified in close proximity to genes with functions that are commonly transferred, specifically genes associated with nutrient acquisition, and antibiotic tolerance or resistance (Nascimento et al. 2004).

Given the available evidence, the most likely explanation is that this 26 kb region is present in *B. hyodysenteriae*, *B. pilosicoli*, *E. faecalis*, and *E. coli* as a result of its involvement in HGT events. Where and when these event(s) occurred is uncertain, but the *Brachyspira* species, *E. faecalis* and *E. coli* are all enteric bacteria, and this shared environment may have provided a suitable venue for transfer to occur. The direction of the gene transfer is uncertain, and clearly other bacterial species that so far have not been sequenced could be the source of the original DNA that was involved in the transfer(s).

By using overlapping PCRs all the *Brachyspira* species investigated were found to contain five or more of the nine core genes from the 26 kb genomic region. The presence of at least some of the core genes in the correct order in all the *Brachyspira* species, and their absence from other sequenced spirochaetes, suggests that if this region was acquired by *Brachyspira* species by a HGT event, it most likely occurred sometime after the foundation *Brachyspira* species became separated from other spirochaete genera, but before further *Brachyspira* speciation occurred. The apparent absence of some of the 26 kb region core genes in the different *Brachyspira* species may have been because the primers used were designed based on the *B. hyodysenteriae* sequence, and polymorphisms could be present within the primer sequences in the other species. Alternatively, the genes may have been absent or arranged in a different order, such that they were not amplified. Previously it has been deduced that gene rearrangements have been important in shaping the genomes of *B. hyodysenteriae* and *B. pilosicoli* (Zuerner et al. 2004), and similar gene rearrangements are likely to occur in

other *Brachyspira* species. The presence or absence of these genes could be further investigated by using low stringency hybridisations.

In conclusion, a partially conserved 26 kb genomic region has been identified in *Brachyspira* spp., *Enterococcus faecalis* and *Escherichia coli*. Further work is required to investigate the origin and the functional significance of the 26 kb region in the various bacterial species in which it has been detected.

Acknowledgements

Yair Motro was supported by an Australian Research Council (ARC)—Industry linked scholarship in partnership with Novartis Animal Vaccines, who also funded the research. Thanks are due to Professor Trifinov at the Centre for Genome Diversity (University of Haifa) for helpful discussions.

References

- Altschul, S.F., Gish, W., Miller, W., Myers, E.W. and Lipman, D.J. 1990. Basic local alignment search tool. *J. Mol. Biol.*, 215:403–10.
- Buchrieser, C., Rusniok, C., Kunst, F., Cossart, P. and Glaser, P. 2003. Comparison of the genome sequences of *Listeria monocytogenes* and *Listeria innocua*: clues for evolution and pathogenicity. *FEMS Immunol. Med. Microbiol.*, 35:207–13.
- Carver, T.J., Rutherford, K.M., Berriman, M., Rajandream, M.A., Barrell, B.G. and Parkhill, J. 2005. ACT: the Artemis Comparison Tool. *Bioinformatics*, 21:3422–3.
- Delcher, A.L., Harmon, D., Kasif, S., White, O. and Salzberg, S.L. 1999. Improved microbial gene identification with GLIMMER. *Nucleic Acids Res.*, 27:4636–41.
- Eddy, S.R. 1998. Profile hidden Markov models. *Bioinformatics*, 14:755–63.
- Gardy, J.L., Spencer, C., Wang, K., Ester, M., Tusnady, G.E., Simon, I., Hua, S., deFays, K., Lambert, C., Nakai, K. and Brinkman, F.S. 2003. PSORT-B: Improving protein subcellular localization prediction for Gram-negative bacteria. *Nucleic Acids Res.*, 31:3613–7.
- Hampson, D.J. and Duhamel, G.E. 2006. Porcine colonic spirochetosis/intestinal spirochetosis. In *Diseases of Swine* 9th edn., pp. 755–767. Edited by Straw, B. E., Zimmerman, J. J., D'Allaire, S. and Taylor, D. J. Oxford, U.K.: Blackwell Publishing.
- Hampson, D.J. and Stanton, T.B. 1997. *Intestinal spirochaetes in domestic animals and humans*. Wallingford, U.K.: CAB International.
- Hampson, D.J., Fellström, C. and Thomson, J.R. 2006. Swine dysentery. In *Diseases of Swine* 9th edn., pp. 785–805. Edited by Straw, B. E., Zimmerman, J. J., D'Allaire, S. and Taylor, D. J. Oxford, U.K.: Blackwell Publishing.
- Konstantinidis, K.T. and Tiedje, J.M. 2005. Towards a genome-based taxonomy for prokaryotes. *J. Bacteriol.*, 187:6258–64.
- Kunkle, R.A., Harris, D.L. and Kinyon, J.M. 1986. Autoclaved liquid medium for propagation of *Treponema hyodysenteriae*. *J. Clin. Microbiol.*, 24:669–71.
- Lathe, W.C., Snel, B.3rd. and Bork, P. 2000. Gene context conservation of a higher order than operons. *Trends Biochem. Sci.*, 25:474–9.
- Lawrence, J.G. 2005. Horizontal and vertical gene transfer: the life history of pathogens. *Contrib. Microbiol.*, 12:255–71.
- Matson, E.G., Thompson, M.G., Humphrey, S.B., Zuerner, R.L. and Stanton, T.B. 2005. Identification of genes of VSH-1, a prophage-like gene transfer agent of *Brachyspira hyodysenteriae*. *J. Bacteriol.*, 187:5885–92.

- Nascimento, A.L., Ko, A.I., Martins, E.A., Monteiro-Vitorello, C.B., Ho, P.L., Haake, D.A., Verjovski-Almeida, S., Hartskeerl, R.A., Marques, M.V., Oliveira, M.C. and other authors. 2004. Comparative genomics of two *Leptospira interrogans* serovars reveals novel insights into physiology and pathogenesis. *J. Bacteriol.*, 186:2164–72.
- Nielsen, H., Engelbrecht, J., Brunak, S. and von Heijne, G. 1997. Identification of prokaryotic and eukaryotic signal peptides and prediction of their cleavage sites. *Protein Eng.*, 10:1–6.
- Pal, C. and Hurst, L.D. 2004. Evidence against the selfish operon theory. *Trends Genet.*, 20:232–4.
- Paster, B.J. and Dewhirst, F.E. 1997. Taxonomy and phylogeny of intestinal spirochaetes. In *Intestinal spirochaetes in domestic animals and humans*, pp. 47–61. Edited by Hampson, D.J. and Stanton, T.B. Wallingford, U.K.: CAB International.
- Price, M.N., Huang, K.H., Arkin, A.P. and Alm, E.J. 2005. Operon formation is driven by co-regulation and not by horizontal gene transfer. *Genome Res.*, 15:809–19.
- Råsbäck, T., Johansson, K.-E., Jansson, D.S., Fellström, C., Alikhani, Y., La, T., Dunn, D.S. and Hampson, D.J. 2007. Development of a multilocus sequence typing scheme for intestinal spirochaetes of the genus *Brachyspira*. *Microbiology*, 153:4074–87.
- Rice, P., Longden, I. and Bleasby, A. 2000. EMBOSS: the European Molecular Biology Open Software Suite. *Trends Genet.*, 16:276–7.
- Rocha, E.P. and Danchin, A. 2003. Essentiality, not expressiveness, drives gene-strand bias in bacteria. *Nat. Genet.*, 34:377–8.
- Schmidt, H. and Hensel, M. 2004. Pathogenicity islands in bacterial pathogenesis. *Clin. Microbiol. Rev.*, 17:14–56.
- Sonnhammer, E.L. and Durbin, R. 1995. A dot-matrix program with dynamic threshold control suited for genomic DNA and protein sequence analysis. *Gene*, 167:GC1–10.
- Stanton, T.B. and Sellwood, R. 1999. Cloning and characteristics of a gene encoding NADH oxidase, a major mechanism for oxygen metabolism by the anaerobic spirochete, *Brachyspira (Serpulina) hyodysenteriae*. *Anaerobe*, 5:539–46.
- Stanton, T.B., Matson, E.G. and Humphrey, S.B. 2001. *Brachyspira (Serpulina) hyodysenteriae* gyrB mutants and interstrain transfer of coumermycin A(1) resistance. *Appl. Environ. Microbiol.*, 67:2037–43.
- Stanton, T.B., Thompson, M.G., Humphrey, S.B. and Zuerner, R.L. 2003. Detection of bacteriophage VSH-1 svp38 gene in *Brachyspira* spirochetes. *FEMS Microbiol. Lett.*, 224:225–9.
- Tamames, J. 2001. Evolution of gene order conservation in prokaryotes. *Genome Biol.* 2, RESEARCH0020.
- Tatusov, R.L., Natale, D.A., Garkavtsev, I.V., Tatusova, T.A., Shankavaram, U.T., Rao, B.S., Kiryutin, B., Galperin, M.Y., Fedorova, N.D. and Koonin, E.V. 2001. The COG database: new developments in phylogenetic classification of proteins from complete genomes. *Nucleic Acids Res.*, 29:22–8.
- Thompson, J.D., Higgins, D.G. and Gibson, T.J. 1994. CLUSTAL W: improving the sensitivity of progressive multiple sequence alignment through sequence weighting, position-specific gap penalties and weight matrix choice. *Nucleic Acids Res.*, 22:4673–80.
- Trott, D.J., Oxberry, S.L. and Hampson, D.J. 1997. Evidence for *Serpulina hyodysenteriae* being recombinant, with an epidemic population structure. *Microbiology*, 143:3357–65.
- Trott, D.J., Mikosza, A.S.J., Combs, B.G., Oxberry, S.L. and Hampson, D.J. 1998. Population genetic analysis of *Serpulina pilosicoli* and its molecular epidemiology in villages in the Eastern Highlands of Papua New Guinea. *Int. J. System Bacteriol.*, 48:659–68.
- Van Der Zeijst, B.A. and ter Huurne, A.A. 1997. Molecular biology of intestinal spirochaetes. In *Intestinal spirochaetes in domestic animals and humans*. pp. 91–108. Edited by Hampson D. J. and Stanton, T. B. Wallingford, U.K.: CAB International.
- Wolf, Y.I., Rogozin, I.B., Kondrashov, A.S. and Koonin, E.V. 2001. Genome alignment, evolution of prokaryotic genome organization, and prediction of gene function using genomic context. *Genome Res.*, 11:356–72.
- Zuerner, R.L., Stanton, T.B., Minion, F.C., Li, C., Charon, N.W., Trott, D.J. and Hampson, D.J. 2004. Genetic variation in *Brachyspira*: chromosomal rearrangements and sequence drift distinguish *B. pilosicoli* from *B. hyodysenteriae*. *Anaerobe*, 10:229–37.